



Introducing Philips Hadco's WAML LED 12 Volt Floodlyte

Never has something so **green** produced so much **light**.
Learn more about the WAML LED at hadco.com.

PHILIPS
HADCO
sense and simplicity

WAML LED Floodlyte

LED Lighting Module

The WAML is supplied with an LED module which delivers a complete LED lighting solution that integrates an LED light source, a lens, a driver, and thermal management in a compact, easy-to-use single package. This high-output pedestal lamp connects directly to a 12VAC or 12VDC power source. It is available in warm white or cool white.

The LED module includes a unique housing that efficiently removes heat from the LED. Mounting the light engine to metal and according to specifications completes the thermal network. The result is a highly reliable, long-life LED lighting solution that fits a variety of end applications.

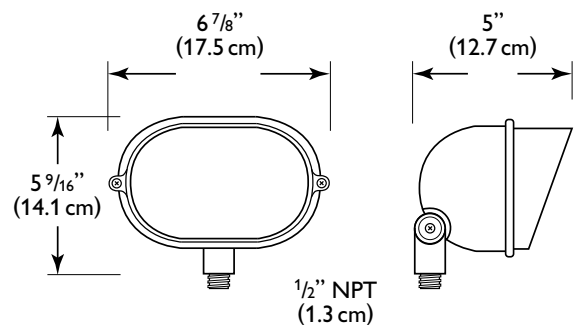
die cast aluminum
tempered glass lens



manufactured
in the U.S.A.

Specifications

- 3.7W LED module (low power) or 6.4W LED module (high power)
- Input frequency 50 to 60Hz
- Input voltage range (VAC) 10.8 – 17
- Cool white 6000K color temperature (CCT)
- Warm white 3000K color temperature (CCT)
- 150-degree LED spread
- 70% lumen maintenance at 50,000 hours
- Thermoset polyester powdercoat
- Die cast aluminum
- Clear or frosted tempered glass lens
- ETL, cETL listed
- 300 lumens
- IP66 rating



PHILIPS
HADCO

Full specification sheets and ordering guide information can be found at www.hadco.com.

www.hadco.com
100 Craftway Drive, P.O. Box 128, Littlestown, PA 17340
Phone: 1-866-423-2658 • Fax: 717-359-0618

Printed in U.S.A. PH-1019-1102-1K