

# GT GENLYTE THOMAS

## INSTALLATION INSTRUCTIONS: STEPLYTES AND AREA/WALKWAY

SHEET 1

CAUTION! CAREFULLY READ INSTRUCTIONS BEFORE INSTALLING FIXTURE

### THREE INSTRUCTION SHEET EXPLANATION

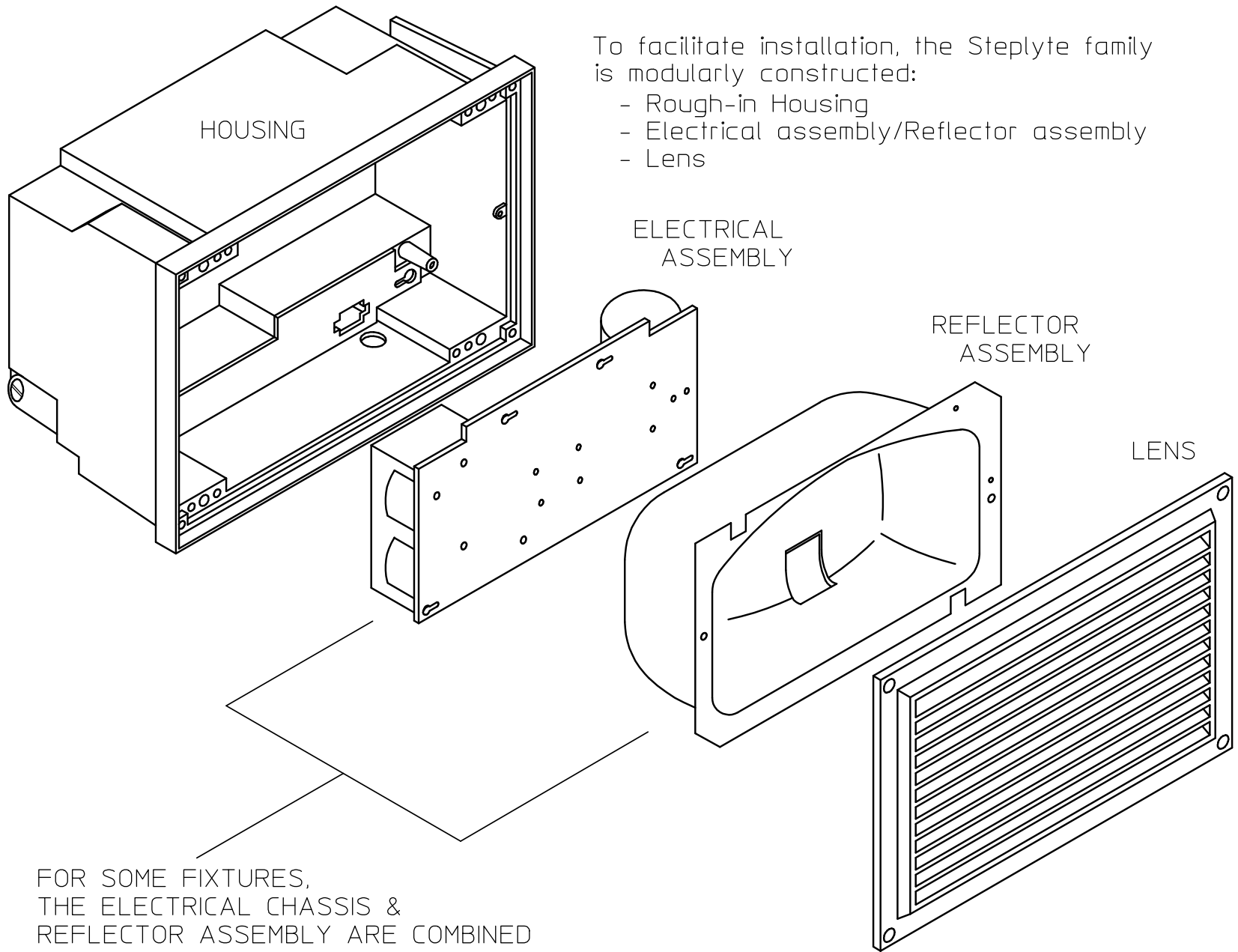
- SHEET 1 - General Overview
- SHEET 2 - Housing Installation
- SHEET 3 - Mounting Templates

This fixture is intended for installation in accordance with the National Electrical Code and local code specifications. To prevent electrical shock, turn off electricity at fuse box before proceeding.

GFI PROTECTION! 120 volt fixtures which may come in contact with or be exposed to moisture (i.e. outdoors) shall be installed on a GFI (Ground Fault Interruptor) protected circuit.

To facilitate installation, the Steplyte family is modularly constructed:

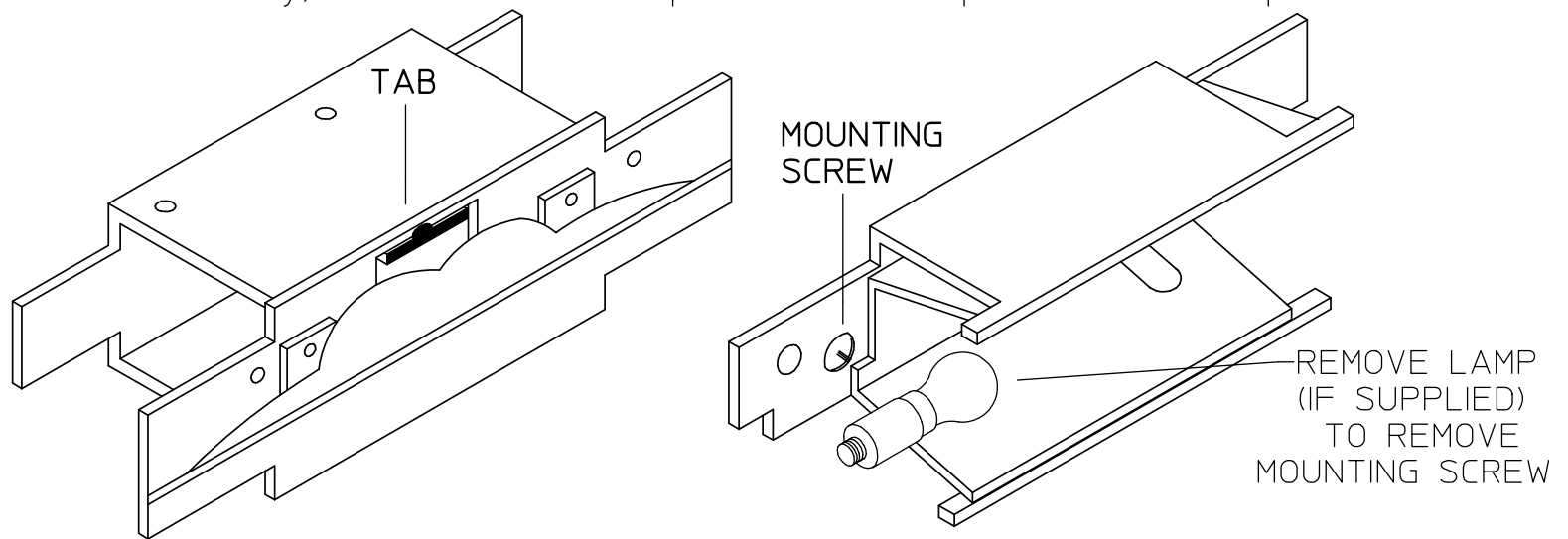
- Rough-in Housing
- Electrical assembly/Reflector assembly
- Lens



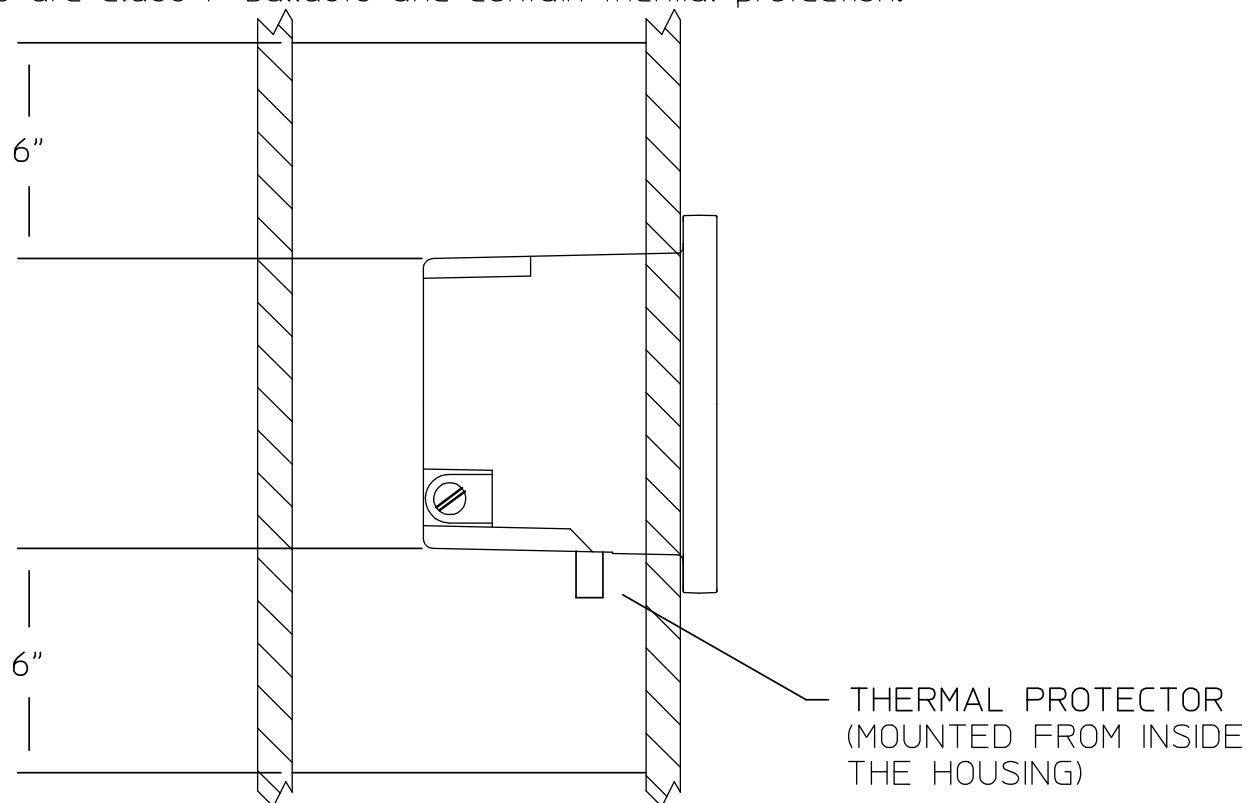
32000853 SHEET 1 OF 3

32000853 SHEET 1 OF 3

1. Remove unit from carton.
  - 1.1 Remove lens.
  - 1.2 Remove reflector assembly.
  - 1.3 Remove electrical chassis.
    - 1.3.1 12"X8" Rectangular and 9" Round units have a key slotted electrical chassis; loosen screws and remove chassis
    - 1.3.2 9"X3" Rectangular and 4" Round units have a combined reflector/ chassis assembly; remove screw or depress tab as required. (see examples below)



2. Using enclosed sheets, install rough-in housing per NEC and local electrical codes.
  - 2.1 For internal or external, new or existing, plasterboard or wood installation, a thermal protector is required and insulation is to be a minimum of six (6) inches from sides of housing. Install thermal protector by removing 1 inch snap-in plug and pushing protector into hole.
  - 2.2 Thermal protection is not required for masonry or brick installations. Thermal protection is also not required for fluorescent lampings since Recessed Steplyte ballasts are class P ballasts and contain thermal protection.



3. Re-assemble fixture.
 

CAUTION! Turn power on only when fixture is completely re-assembled.  
Always turn power OFF when re-lamping or servicing fixture.



FOR RECTANGULAR STEPLYTES AND AREA/WALKWAY FIXTURES

SHEET 2

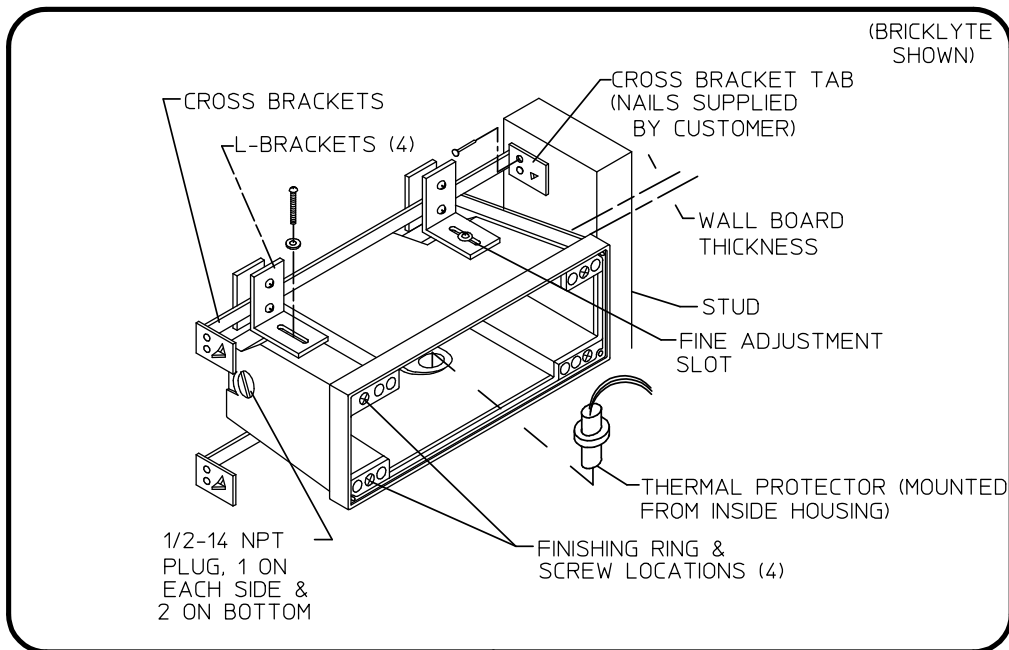
**CAUTION! CAREFULLY READ INSTRUCTIONS BEFORE INSTALLING FIXTURE**

This fixture is intended for installation in accordance with the National Electrical Code and local code specifications. To prevent electrical shock, turn off electricity at fuse box before proceeding.

**GFI PROTECTION!** 120 volt fixtures which may come in contact with or be exposed to moisture (i.e. outdoors) shall be installed on a GFI (Ground Fault Interruptor) protected circuit.

**INSTALLATION FOR NEW STUD WALL**

(USE ACCESSORY KIT #MAKNS OR #BMA2)

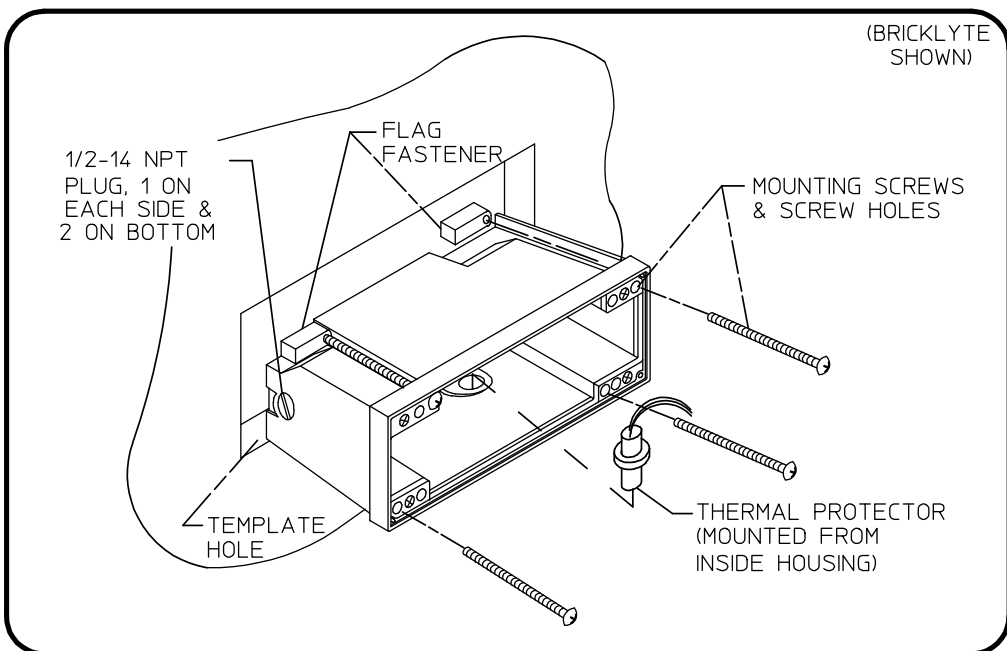


1. Using the template supplied, cut a level hole through the wall board to fit around the fixture housing. Failure to level hole will cause the fixture to have a tilted appearance.
2. Mount L-brackets onto housing 4 places with screw positioned in center of slot and insert cross brackets through the L-brackets on top and bottom of housing.
3. Position fixture so that the back of the finishing ring extends past the studs the thickness of the wallboard.
4. Level fixture and hammer tabs on cross brackets into studs, then nail brackets securely to studs.
5. Fine adjust fixture position and tighten all loose screws.
6. Remove the 1/2" NPT plugs from the side/bottom of the housing and pull the supply wire through into the housing.
7. Remove finishing ring by removing four flat head screws. Install wall board.
8. Replace finishing ring.
9. Install thermal protector (attached to electrical chassis.)

32000853 SHEET 2 OF 3

32000853 SHEET 2 OF 3

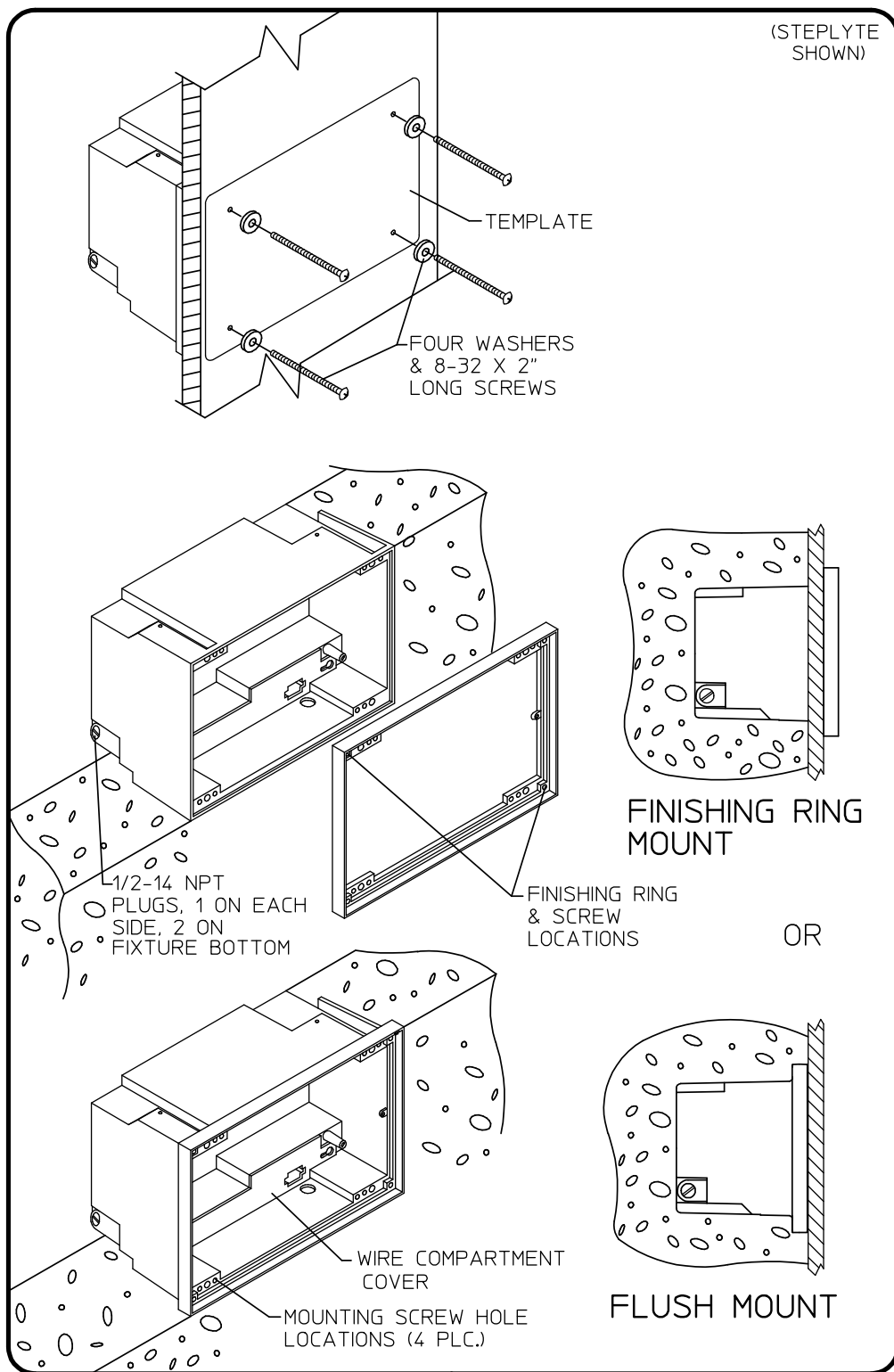
**INSTALLATION FOR EXISTING STUD WALL**  
(USE ACCESSORY KIT #MAKES OR #BMA3)



1. Using the template supplied, cut a level hole through the existing wall between existing studs. Failure to level hole will cause the fixture to have a tilted appearance.
2. Push the four mounting screws through the housing holes and into rear channels. (Note: Thin membrane covers the housing holes and may require forcing the screws through to penetrate membrane.)
3. Place flags flat on rear of housing and thread screws into flags until the screws are completely through the flags.
4. Remove the 1/2" NPT plugs from the side/bottom of the housing and pull the supply wire through into the housing.
5. Push housing into the hole in the wall and tighten the four mounting screws until the flag fasteners have drawn tightly against the rear surface of the wall.
6. Install thermal protector (attached to electrical chassis.)

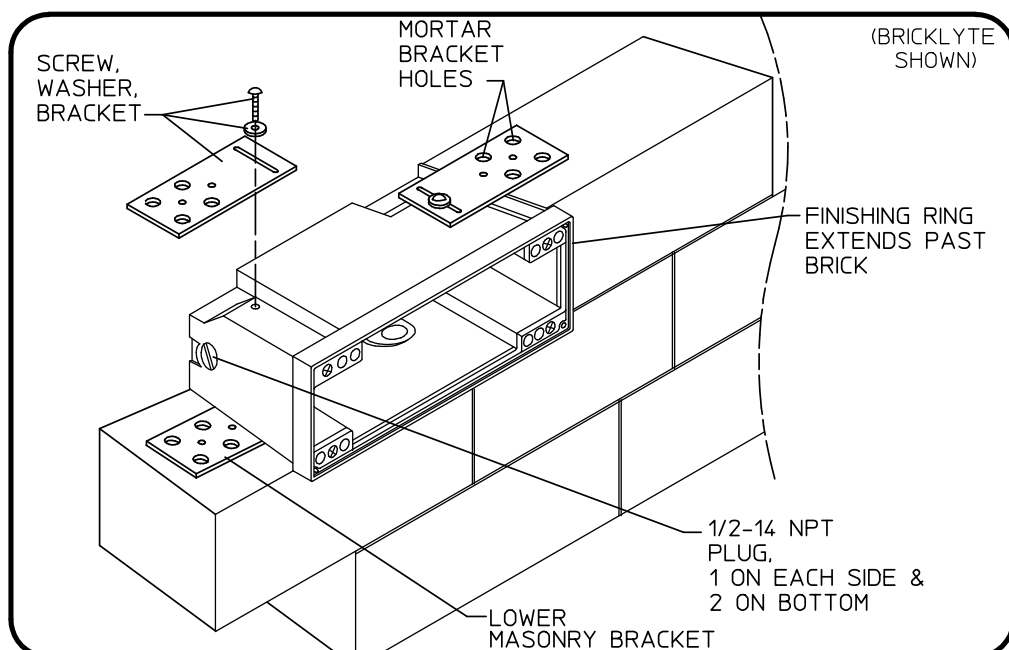
32000853 SHEET 2 OF 3

32000853 SHEET 2 OF 3



## INSTALLATION FOR CONCRETE POUR (HARDWARE INCLUDED WITH EACH FIXTURE)

1. Level supplied template on wood support frame and drill four (4) 3/16" diameter clearance holes.
2. Remove the 1/2" NPT plugs from the side/bottom of the housing and pull the supply wire through into the housing.
3. Install plastic protective shield (if supplied) into housing and be sure all unused electrical plugs are replaced. Finishing ring may be removed now and replaced onto housing after concrete pour.
4. Secure housing to wood support with screws supplied in hardware packet.
5. Pour concrete.
6. If finishing ring was removed, replace it and tighten four flat head screws. If screws are not tight, fixture may leak.



## INSTALLATION FOR MASONRY (USE ACCESSORY KIT #MAKM OR #BMA1)

1. Install two screws through washers and lower masonry brackets and into tapped housing holes on bottom of fixture.
2. Remove the 1/2" NPT plugs from the side/bottom of the housing and pull the supply wire through and into the housing.
3. Press fixture and lower masonry brackets into layer of mortar so that the mortar penetrates through the holes of the masonry bracket.
4. After laying another course of blocks, install the two upper masonry brackets onto the housing as in step 1.

**GT GENLYTE THOMAS**  
 TEMPLATES FOR RECTANGULAR FIXTURES SHEET 3

