

FIXTURE TYPE: \_\_\_\_\_

PROJECT NAME: \_\_\_\_\_

## BRONZELITE MERCURY VAPOR ABOVE GROUND BALLAST BOX SPECIFICATION SHEET



model ABM

### SPECIFICATIONS

**HOUSING:** Housing and cover are zinc plated steel thermoset powder-coated black.

**INSTALLATION:** Housing must be mounted one foot above ground level.

**ELECTRICAL:** 120V Standard. Contact factory for other voltages. Long range ignitor standard. Core and coil ballast encapsulated for moisture resistance.

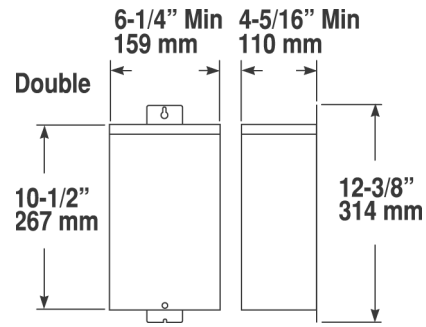
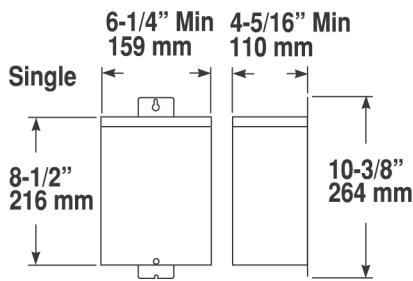
**WARRANTY:** Three year limited warranty.

**CERTIFICATION:** UL Listed to U.S. and Canadian safety standards for wet locations.

FIXTURE TYPE: \_\_\_\_\_

PROJECT NAME: \_\_\_\_\_

**DIMENSIONS**



**ORDERING LOGIC - MERCURY VAPOR HID BALLAST BOX**

Model No.	Dimensions	Description	Max. Dist. to lamp
ABH501	6-1/4" W, 10-3/8" H	(1) 50-Watt MH	100 feet
ABH502	6-1/4" W, 12-1/2" H	(2) 50-Watt MH	100 feet
ABH1001	6-1/4" W, 10-3/8" H	(1) 100-Watt MH	100 feet
ABH1002	6-1/4" W, 12-1/2" H	(2) 100-Watt MH	100 feet
ABH1751	6-1/4" W, 10-3/8" H	(1) 175-Watt MH	100 feet
ABH1752	6-1/4" W, 12-1/2" H	(2) 175-Watt MH	100 feet

**PROJECT NOTES**

\_\_\_\_\_

\_\_\_\_\_

\_\_\_\_\_

\_\_\_\_\_

\_\_\_\_\_

\_\_\_\_\_

\_\_\_\_\_

\_\_\_\_\_

**APPROVAL**

**Bronzelite®**

Note: Bronzelite reserves the right to modify the above details to reflect changes in the cost of materials &/or production &/or design without prior notice.  
BRONZELITE - GENLYTE GROUP LLC • 100 Craftway • Littlestown, PA 17340 • Ph. (800) 273-1569 • Fax (717) 359-9545 • www.bronzelite.com