

FIXTURE TYPE: _____
PROJECT NAME: _____

BRONZELITE DG7000 DRIVE OVER INGROUND FIXTURE SPECIFICATION SHEET



The DG7000 Series drive-over fixture is a rugged and effective lighting fixture for use in live-load vehicular traffic. A tough polyester composite housing, cast stainless steel drive-over dome, molded lens and high temperature silicone gasket gives positive protection to optical and electrical components. Fixture can be specified for use with 13 watt PL-C fluorescent, 70 watt maximum T6 metal halide or 100 watt maximum T4 quartz.

model DG7000

SPECIFICATIONS

DRIVE-OVER DOME: Cast matte stainless steel, secured to cast matte stainless steel concrete pour (CPS7) kit with tamper-resistant stainless steel fasteners. CPS7 included and required to transfer vehicle load to road structure. Fixture is 3500 pound live-load rated.

LENS: Tempered borosilicate glass for high impact resistance. Lens is domed and frosted.

LENS GASKET: High temperature silicone suitable for seal in extreme conditions.

INTERNAL LENS RING: Single piece compression molded composite, secures lens to housing.

HOUSING: Compression molded, fiberglass reinforced polyester composite with high temperature rating. Integral junction box with two 3/4" conduit entries with provision for a field-drilled and tapped branch outlet. Re-enterable potting compound provided to seal junction box.

OPTICAL SYSTEM: Formed aluminum reflector for 100 watt T4 quartz or 70 watt maximum T6 metal halide.

SOCKET: Porcelain mini-candelabra for T4 quartz and porcelain G12 base for T6 metal halide. High temperature plastic GX23-2 for PL-C fluorescent.

BALLAST MODULE: Encapsulated in epoxy for moisture resistance. All capacitors rated for minimum 100°C for longer life. All electrical connections are quick disconnect.

WIRING: Pre-wired with high-temperature #18 AWG.

WARRANTY: Three year limited warranty.

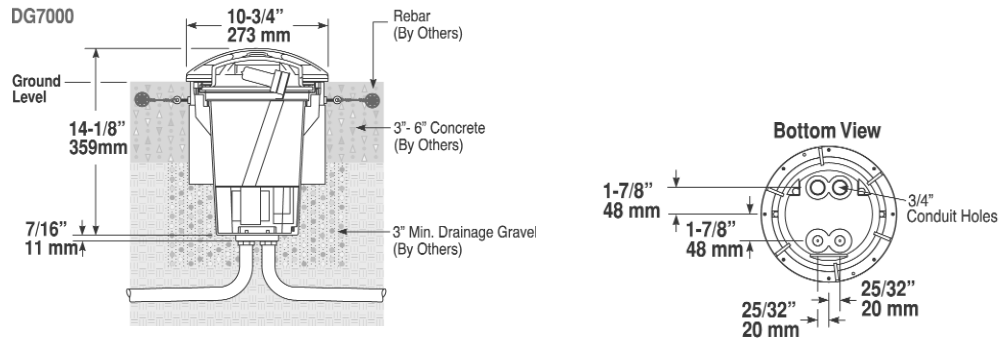
CERTIFICATION: UL Listed to U.S. and Canadian safety standards for wet locations.

CAUTION: Landscape lighting fixtures can sometimes produce extreme heat on exposed surfaces. Care should be taken when installing in walkway areas as external temperatures from certain lamps could injure bare feet.

FIXTURE TYPE: _____

PROJECT NAME: _____

DIMENSIONS



ORDERING LOGIC - DG7000 DRIVE-OVER

| Wattage/Lamp | Model No. | Volts |
|-----------------------------|--------------|-------|
| 35W Metal Halide T6 | DG7035MHT6SS | 120 |
| 70W Metal Halide T6 | DG7070MHT6SS | 120 |
| 13W Compact Fluorescent PLC | DG7013FSS | 120 |
| 100W T4 Quartz | DG7100ISS | 120 |

NOTE: Lamp not included. "Housing only" not available.

Model No.

PROJECT NOTES

APPROVAL

Bronzelite®