

FIXTURE TYPE: _____

PROJECT NAME: _____

BRONZELITE G3000 INGROUND FIXTURE SPECIFICATION SHEET



The G3000 grade-mounted luminaire provides excellent landscape illumination using up to 150 watt H.I.D. or 42 watt compact fluorescent lamps. The fixture housing and ballast enclosure are constructed of heavy cast bronze and are fully gasketed for a positive, watertight seal.

model G3000

SPECIFICATIONS

HOUSING: Cast bronze with integral pre-wired junction box. Two 3/4" N.P.T. conduit entrances are provided in the bottom of the junction box.

LENS: High-impact tempered glass.

(FB) Flat lens is 2,100 pound live-load (walk-over) rated.

(CB) Convex lens is recommended for applications where leaves or other surface debris may accumulate.

LENS GASKET: High temperature silicone.

REFLECTORS: Reflectors for E17 vertical lamps and fluorescent lamps are specular spun aluminum. Reflectors for E17 horizontal lamps are a combination of Hammertone® and specular formed aluminum.

SOCKETS: Pulse-rated, heavy-duty, glazed porcelain for H.I.D. lamps. High temperature plastic for fluorescent.

WIRING: High temperature wiring.

AIMING: 360° horizontal rotation and 25° vertical adjustment.

BALLAST MODULE: H.I.D.'s use QUAD volt core and coil, high power factor. The heavy-duty cast bronze ballast housing is supplied with a gasketed cover and tamper resistant screws. Fluorescents use electronic ballasts.

WARRANTY: Three year limited warranty.

CERTIFICATION: UL Listed to U.S. and Canadian safety standards for wet locations.

ACCESSORIES (Must Be Ordered Separately and Field Installed)



G3CRG: Cast bronze rock guard

G3CR: Cast bronze lens ring

G3GL1: Aluminum internal louver.



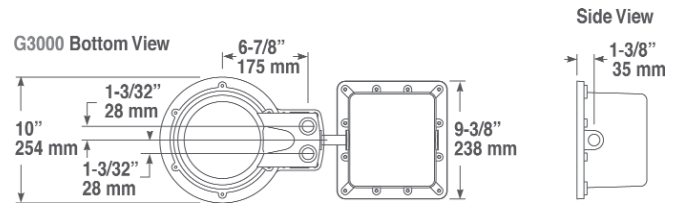
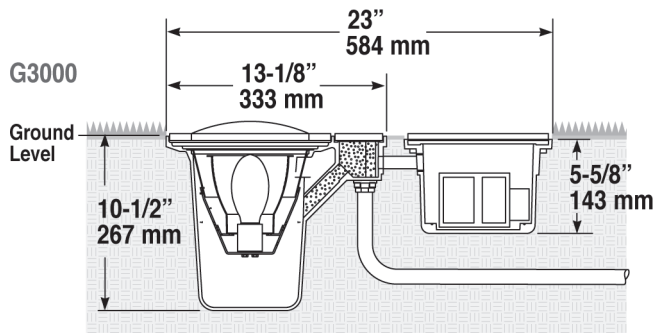
G3WW1: Cast bronze wall washer shield

Note: Bronzelite reserves the right to modify the above details to reflect changes in the cost of materials &/or production &/or design without prior notice.
BRONZELITE - GENLYTE GROUP LLC • 100 Craftway • Littlestown, PA 17340 • Ph. (800) 273-1569 • Fax (717) 359-9545 • www.bronzelite.com

FIXTURE TYPE: _____

PROJECT NAME: _____

ELECTRICAL SPECIFICATIONS

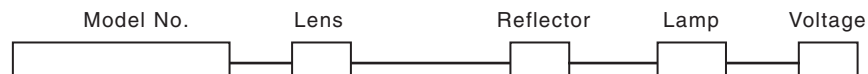


ORDERING LOGIC - G3000 INGROUND

CR=Rockguard w/Convex Lens	F=Flood	E=E17	120=120
FR=Rockguard w/Flat Lens	S=Spot	L=PLT	208=208
CB=Lens Ring w/Convex Lens	N=PAR or R Lamps	P=PAR	240=240
FB=Lens Ring w/Flat Lens		R=R40	277=277

Wattage/Lamp	Model No.	Lens	Reflector	Lamp	Voltage
35W Metal Halide	G3035MH	()	(N)	(P)	(120,277)
50W Metal Halide	G3050MH	()	(F,S)	(E)	()
70W Metal Halide	G3070MH	()	()	(P,E,R)	()
100W Metal Halide	G3100MH	()	()	(P,E,R)	()
150W Metal Halide	G3150MH	()	()	(P,E,R)	()
35W High Pressure Sodium	G3035HPS	()	(F,S)	(E)	(120,277)
50W High Pressure Sodium	G3050HPS	()	(F,S)	(E)	()
70W High Pressure Sodium	G3070HPS	()	()	(P,E)	()
100W High Pressure Sodium	G3100HPS	()	(F,S)	(E)	()
150W High Pressure Sodium	G3150HPS	()	(F,S)	(E)	()
26W Fluorescent PLT GX24Q-3	G3026PL	()	(F,S)	(L)	(120,277)
32W Fluorescent PLT GX24Q-3	G3032PL	()	(F,S)	(L)	(120,277)
42W Fluorescent PLT GX24Q-4	G3042PL	()	(F,S)	(L)	(120,277)

NOTE: Lamp not included.



PROJECT NOTES

APPROVAL

Bronzelite®

Note: Bronzelite reserves the right to modify the above details to reflect changes in the cost of materials &/or production &/or design without prior notice.

BRONZELITE - GENLYTE GROUP LLC • 100 Craftway • Littlestown, PA 17340 • Ph. (800) 273-1569 • Fax (717) 359-9545 • www.bronzelite.com

ISO 9001:2000 Registered

Copyright Genlyte Group LLC, BRONZELITE Division 2005

G3000-Rev3