

FIXTURE TYPE: \_\_\_\_\_

PROJECT NAME: \_\_\_\_\_

## BRONZELITE G5150 INCANDESCENT WELL LIGHT SPECIFICATION SHEET



The G5150 grade-mounted well-light provides excellent landscape illumination using up to 150 watt incandescent PAR and R lamps. The fixtures are constructed with a heavy cast aluminum or optional cast bronze lamp housing and safety grill within a PVC well sleeve.

model G5150

### SPECIFICATIONS

**SAFETY GRILL:** Standard cast aluminum round grill with optional cast bronze model available. Optional cast aluminum and cast bronze square and square directional grills are available. Grill rotates 360° for glare control and is secured to well sleeve with two self-tapping screws.

**WELL SLEEVE:** Gray Schedule 40 PVC pipe, 9" I.D. x 15". Wall thickness is 3/16".

**CONVEX LENS:** Clear, high-impact tempered glass furnished with a high-temperature silicone gasket for a positive, watertight seal.

**HOUSING:** Dark bronze polyester powder-coated cast aluminum or optional cast bronze. Pre-wired and fastened to safety grill with two steel spring clips. 4.5' of STO-WA cord is provided with a watertight seal at the housing entry and at the conduit connection.

**SOCKETS:** Pulse-rated, heavy-duty, glazed porcelain medium base lamps.

**FASTENERS:** Tamper and corrosion resistant.

**WARRANTY:** Three year limited warranty.

**CERTIFICATION:** UL Listed to U.S. and Canadian safety standards for wet locations.

### ACCESSORIES (Must Be Ordered Separately and Field Installed)



**G5SA:** Square aluminum grill



**G5SB:** Square bronze grill



**G5SDA:** Square aluminum directional grill



**G5SDB:** Square bronze directional grill

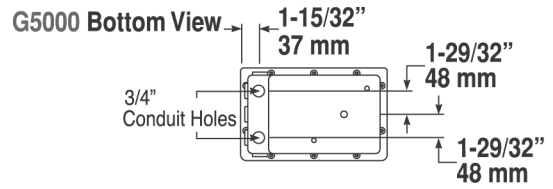
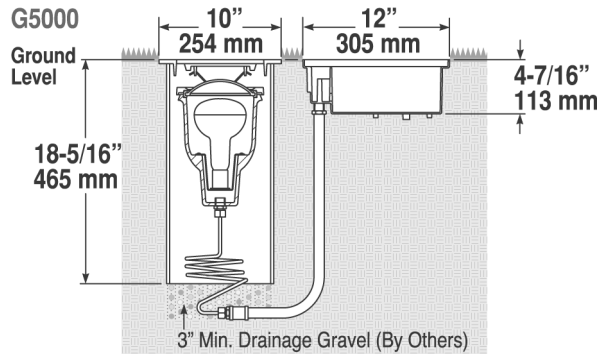
**Note:** Grills will be furnished in the same material as housing. Grills do not meet OSHA standard for walkway grating.

Note: Bronzelite reserves the right to modify the above details to reflect changes in the cost of materials &/or production &/or design without prior notice.  
BRONZELITE - GENLYTE GROUP LLC • 100 Craftway • Littlestown, PA 17340 • Ph. (800) 273-1569 • Fax (717) 359-9545 • www.bronzelite.com

FIXTURE TYPE: \_\_\_\_\_

PROJECT NAME: \_\_\_\_\_

### DIMENSIONS

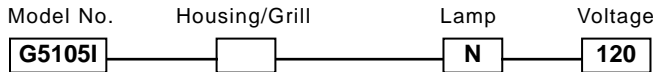


### ORDERING LOGIC - G5000 H.I.D. WELL LIGHT

CAS=Cast Aluminum Square  
 CAR=Cast Aluminum Round (standard G5000)  
 CBS=Cast Bronze Square  
 CBR=Cast Bronze Round (standard G6025)    N=PAR or R    120=120

Wattage/Lamp	Model No.	Housing/Grill	Lamp	Voltage
150W Incandescent PAR38	G5105I	( )	(N)	(120)

NOTE: Lamp not included.



### PROJECT NOTES

---

---

---

---

---

---

---

---

---

---

### APPROVAL

**Bronzelite®**

Note: Bronzelite reserves the right to modify the above details to reflect changes in the cost of materials &/or production &/or design without prior notice.  
 BRONZELITE - GENLYTE GROUP LLC • 100 Craftway • Littlestown, PA 17340 • Ph. (800) 273-1569 • Fax (717) 359-9545 • www.bronzelite.com