

FIXTURE TYPE: _____

PROJECT NAME: _____

BRONZELITE G7000 FLUORESCENT INGROUND FIXTURE SPECIFICATION SHEET



The G7000 Series fluorescent in-ground fixture is a rugged and effective lighting luminaire for use in a wide variety of outdoor lighting applications using 26, 32 or 42 watt PL-T. A tough polyester composite housing, molded tempered soda-lime lens and high-temperature silicone gasket give positive protection to optical and electrical components. The lens is rated at 2,200 pound live-load for walk-over applications.

model G7000

SPECIFICATIONS

HOUSING: Compression molded, fiberglass reinforced polyester composite with high temperature rating. Integral junction box with two 3/4" conduit entries. Re-enterable potting compound provided to seal junction box.

REFLECTORS: Specular aluminum reflector for flood (70°) optics.

LENS: Tempered soda-lime glass for high impact resistance. Lens is crowned to assist in water runoff. Slip resistant lens has concentric rings sandblasted into the surface of the lens for added traction without harming the mechanical integrity of the lens.

LENS GASKET: High temperature silicone suitable for extreme conditions.

LENS RING: Single piece compression molded composite, cast bronze or cast matte stainless steel.

SOCKETS: High temperature plastic; 26 watt is GX24Q-3, 32 watt is GX24Q-3, 42 watt is GX24Q-4.

ROCKGUARD: Optional, directional to control glare. Available in compression molded composite or cast bronze.

AIMING: 15° either side of vertical and rotatable 360°.

BALLAST: Electronic ballasts.

WARRANTY: Three year limited warranty.

CERTIFICATION: UL Listed to U.S. and Canadian safety standards for wet locations. ADA compliant when using in concrete and flush mounted with CP7 or CPS7.

ACCESSORIES (Must Be Ordered Separately and Field Installed)



CP7: PVC concrete pour kit is the standard kit for use when G7000 fixture is installed flush in concrete. CP7 and fixture housing must be installed together.



CPS7: Matte stainless steel concrete pour kit for use with the RS trim ring when fixture is installed in concrete. CPS7 and fixture housing must be installed together.



G7RB: Cast bronze trim ring.



G7RS: Cast matte stainless steel trim ring.



IHL30: Snap-on honeycomb louver for PAR30 lamps.



IHL20: Snap-on honeycomb louver for PAR20 lamps.

G7GB: Cast bronze rockguard.

G7SL: Standard lens.

G7SRL: Slip-resistant lens.

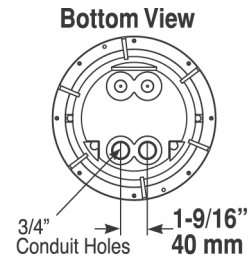
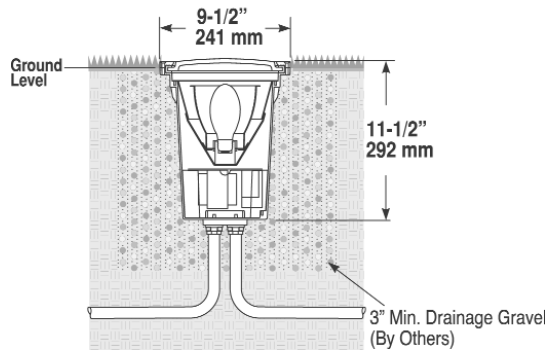
G7G: Composite rockguard.

Note: Bronzelite reserves the right to modify the above details to reflect changes in the cost of materials &/or production &/or design without prior notice.
BRONZELITE - GENLYTE GROUP LLC • 100 Craftway • Littlestown, PA 17340 • Ph. (800) 273-1569 • Fax (717) 359-9545 • www.bronzelite.com

FIXTURE TYPE: _____

PROJECT NAME: _____

DIMENSIONS



ORDERING LOGIC - G7000 FLUORESCENT INGROUND

G=Composite Guard
GB=Cast Bronze Guard
R=Composite Ring (standard)
RB=Cast Bronze Ring
RS=Matte Stainless Steel Ring

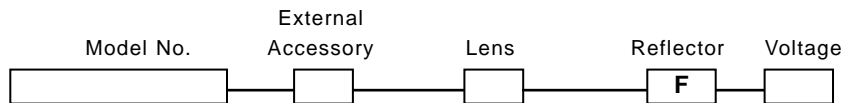
W=Walk-Over (standard)
S=Slip-Resistant
 (Not used with rock guards)

F=Flood

120=120V
277=277V

Wattage/Lamp	Model No.	External Accessory	Lens	Reflector	Voltage
26W Fluorescent PLT GX24Q-3	G7026F	()	()	(F)	(120,277)
32W Fluorescent PLT GX24Q-3	G7032F	()	()	(F)	(120,277)
42W Fluorescent PLT GX24Q-4	G7042F	()	()	(F)	(120,277)
Housing Only	G7HO	-	-	-	-

NOTE: Lamp not included.



PROJECT NOTES

APPROVAL

Bronzelite®

Note: Bronzelite reserves the right to modify the above details to reflect changes in the cost of materials &/or production &/or design without prior notice.

BRONZELITE - GENLYTE GROUP LLC •100 Craftway •Littlestown, PA 17340 •Ph. (800) 273-1569 •Fax (717) 359-9545 •www.bronzelite.com

ISO 9001:2000 Registered

Copyright Genlyte Group LLC, BRONZELITE Division 2005

G7000FL-Rev2