

FIXTURE TYPE: _____
 PROJECT NAME: _____

BRONZELITE G8000 FLUORESCENT INGROUND FIXTURE SPECIFICATION SHEET



The G8000 Series fluorescent in-ground fixture is a rugged and effective lighting luminaire for use in a wide variety of outdoor lighting applications using 28 watt PLC and 26, 32, or 42 watt PL-T sources. A tough polyester composite housing, molded tempered soda-lime lens and high-temperature silicone gasket give positive protection to optical and electrical components. The lens is rated at 2,600 pound live-load for walk-over applications.

model G8000

SPECIFICATIONS

HOUSING: Compression molded, fiberglass reinforced polyester composite with high temperature rating. Integral junction box with two 3/4" conduit entries. Re-enterable potting compound provided to seal junction box.

REFLECTORS: Specular aluminum reflector for flood (70°) beam pattern and Hammertone aluminum reflector for horizontal wall wash optics (78°-100°).

LENS: Tempered soda-lime glass for high impact resistance. Lens is crowned to assist in water runoff. Slip resistant lens has concentric rings sandblasted into the surface of the lens for added traction without harming the mechanical integrity of the lens.

LENS GASKET: High temperature silicone suitable for extreme conditions.

LENS RING: Single piece compression molded composite, cast bronze or cast matte stainless steel.

SOCKETS: High temperature plastic; 26 watt is GX24Q-3, 28 watt is GX32D-3, 32 watt is GX24Q-3, 42 watt is GX24Q-4.

ROCKGUARD: Optional, directional to control glare. Available in compression molded composite or cast bronze.

AIMING: 15° either side of vertical and rotatable 360°.

BALLAST: Electronic ballasts.

WARRANTY: Three year limited warranty.

CERTIFICATION: UL Listed to U.S. and Canadian safety standards for wet locations. ADA compliant when using in concrete and flush mounted with CP8 or CPS8.

ACCESSORIES (Must Be Ordered Separately and Field Installed)



CP8: PVC concrete pour kit is the standard kit for use when G8000 fixture is installed flush in concrete. CP8 and fixture housing must be installed

together.



CPS8: Matte stainless steel concrete pour kit for use with the RS trim ring when fixture is installed in concrete. CPS8 and fixture housing must be installed

together.



IHL17: Honeycomb louver for E17 lamps.



IHL38: Snap-on honeycomb louver for PAR38 lamps.



G8RB: Cast bronze trim ring.



G8RS: Cast matte stainless steel trim ring.



G8DS: Directional shield (rotatable 360°).



G8ISL: Multi-directional spread lens.



G8IDL: Laser-cut internal directional louver.



G8SL: Standard lens.

G8SRL: Slip-resistant lens.

G8G: Composite rockguard.

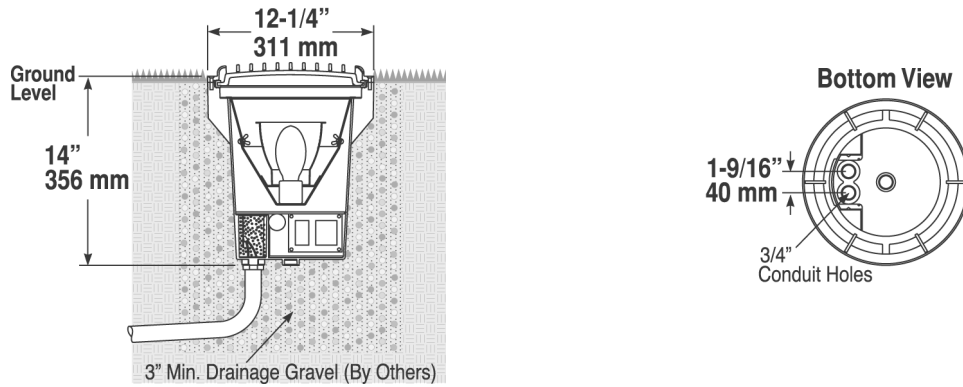
G8GB: Cast bronze rockguard.

Note: Bronzelite reserves the right to modify the above details to reflect changes in the cost of materials &/or production &/or design without prior notice.
 BRONZELITE - GENLYTE GROUP LLC • 100 Craftway • Littlestown, PA 17340 • Ph. (800) 273-1569 • Fax (717) 359-9545 • www.bronzelite.com

FIXTURE TYPE: _____

PROJECT NAME: _____

DIMENSIONS

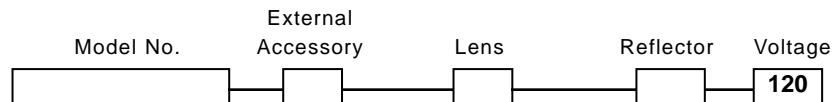


ORDERING LOGIC - G8000 FLUORESCENT INGROUND

- G**=Composite Guard
- GB**=Cast Bronze Guard
- R**=Composite Ring (standard)
- RB**=Cast Bronze Ring
- RS**=Matte Stainless Steel Ring
- W**=Walk-Over (standard)
- S**=Slip-Resistant
(Not used with rock guards)
- F**=Flood
- H**=Horizontal
- 120**=120V

Wattage/Lamp	Model No.	External Accessory	Lens	Reflector	Voltage
26W Fluorescent PLT GX24Q-3	G8026F	()	()	(F,H)	(120)
28W Fluorescent PLC GX32D-3	G8028F	()	()	(F,H)	(120)
32W Fluorescent PLT GX24Q-3	G8032F	()	()	(F,H)	(120)
42W Fluorescent PLT GX24Q-4	G8042F	()	()	(F,H)	(120)
Housing Only	G8HO	-	-	-	-

NOTE: Lamp not included.



PROJECT NOTES

APPROVAL

Bronzelite®

Note: Bronzelite reserves the right to modify the above details to reflect changes in the cost of materials &/or production &/or design without prior notice.

BRONZELITE - GENLYTE GROUP LLC • 100 Craftway • Littlestown, PA 17340 • Ph. (800) 273-1569 • Fax (717) 359-9545 • www.bronzelite.com

ISO 9001:2000 Registered

Copyright Genlyte Group LLC, BRONZELITE Division 2005

G8000FL-Rev2