

FIXTURE TYPE: _____

PROJECT NAME: _____

BRONZELITE G8000 H.I.D. INGROUND FIXTURE SPECIFICATION SHEET



The G8000 Series H.I.D. in-ground fixture is a rugged and effective lighting luminaire for use in a wide variety of outdoor lighting applications requiring mercury vapor, metal halide or high pressure sodium light sources. A tough polyester composite housing, molded tempered soda-lime lens and high-temperature silicone gasket give positive protection to optical and electrical components. Light distributions include spot, flood and horizontal wall wash reflectors for E17 lamps. Fixture can also be specified for use with PAR20, PAR38 and R40 lamps. The lens is rated at 2,600 pound live-load for walk-over applications.

Caution: Landscape lighting fixtures can sometimes produce extreme heat on the lens. Care should be taken when installing in walkway areas as lens temperatures from certain lamps could injure bare feet. Consult Bronzelite factory for exact lens temperatures.

model G8000

SPECIFICATIONS

HOUSING: Compression molded, fiberglass reinforced polyester composite with high temperature rating. Integral junction box with two 3/4" conduit entries. Re-enterrable potting compound provided to seal junction box.

REFLECTORS: Specular aluminum reflector for spot (15°) and flood (70°) beam pattern or Hammertone aluminum reflector for horizontal wall wash optics (78°-100°).

LENS: Tempered soda-lime glass for high impact resistance. Lens is crowned to assist in water runoff. Slip resistant lens has concentric rings sandblasted into the surface of the lens for added traction without harming the mechanical integrity of the lens.

LENS GASKET: High temperature silicone suitable for extreme conditions.

LENS RING: Single piece compression molded composite, cast bronze or cast matte stainless steel optional.

SOCKETS: High temperature porcelain, 4kv pulse rated.

ROCKGUARD: Optional, directional to control glare. Available in compression molded composite or cast bronze.

AIMING: 15° either side of vertical and rotatable 360°.

BALLAST MODULE: Quad-volt core and coil, high power factor, water-resistant encapsulated with quick connect harness.

WARRANTY: Three year limited warranty.

CERTIFICATION: UL Listed to U.S. and Canadian safety standards for wet locations. ADA compliant when using in concrete and flush mounted with CP8 or CPS8.

ACCESSORIES (Must Be Ordered Separately and Field Installed)



together.



together.



CP8: PVC concrete pour kit is the standard kit for use when G8000 fixture is installed flush in concrete. CP8 and fixture housing must be installed

CPS8: Matte stainless steel concrete pour kit for use with the RS trim ring when fixture is installed in concrete. CPS8 and fixture housing must be installed

IHL17: Honeycomb louver for E17 lamps.



IHL38: Snap-on honeycomb louver for PAR38 lamps.



G8RB: Cast bronze trim ring.



G8RS: Cast matte stainless steel trim ring.



G8DS: Directional shield (rotatable 360°).



G8ISL: Multi-directional spread lens.



G8IDL: Laser-cut internal directional louver.

G8SL: Standard lens.

G8SRL: Slip-resistant lens.

G8G: Composite rockguard.

G8GB: Cast bronze rockguard.

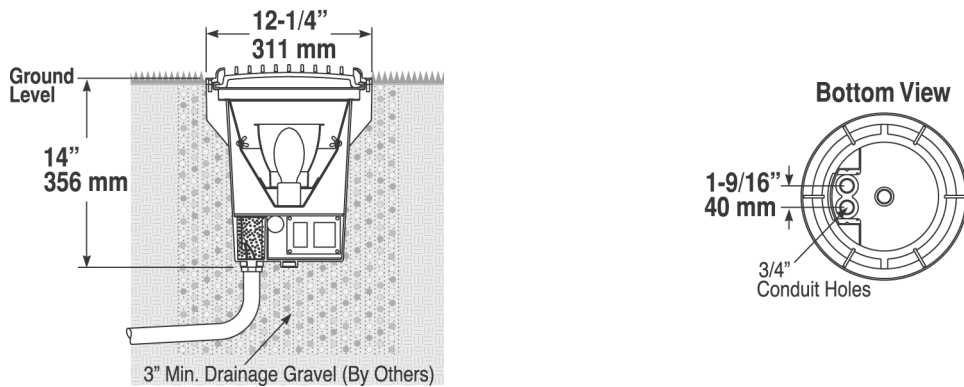
G8ICL: Double lens, internal clear. (available on 50, 70/75 & 100 watt E17 H.I.D. for Spot, Flood and Horizontal)

Note: Bronzelite reserves the right to modify the above details to reflect changes in the cost of materials &/or production &/or design without prior notice.
BRONZELITE - GENLYTE GROUP LLC • 100 Craftway • Littlestown, PA 17340 • Ph. (800) 273-1569 • Fax (717) 359-9545 • www.bronzelite.com

FIXTURE TYPE: _____

PROJECT NAME: _____

DIMENSIONS

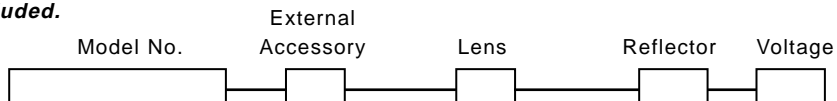


ORDERING LOGIC - G8000 H.I.D.

- G**=Composite Guard
- GB**=Cast Bronze Guard
- R**=Composite Ring (standard)
- RB**=Cast Bronze Ring
- RS**=Matte Stainless Steel Ring
- W**=Walk-Over (standard)
- S**=Slip-Resistant
(Not used with rock guards)
- F**=Flood
- S**=Spot
- H**=Horizontal
- N**=PAR or R Lamps
- 120**=120V
- 208**=208V
- 240**=240V
- 277**=277V

Wattage/Lamp	Model No.	External Accessory	Lens	Reflector	Voltage
35W Metal Halide PAR20	G8035MH	()	()	(N)	()
50W Metal Halide E17	G8050MH	()	()	(F,S,H)	()
70W Metal Halide E17, PAR38	G8070MH	()	()	()	()
100W Metal Halide E17, PAR38	G8100MH	()	()	()	()
150W Metal Halide E17	G8150MH	()	()	(F,S,H)	()
175W Metal Halide E17, PAR38	G8175MH	()	()	()	()
50W High Pressure Sodium E17	G8050HPS	()	()	(F,S,H)	()
70W High Pressure Sodium E17	G8070HPS	()	()	(F,S,H)	()
100W High Pressure Sodium E17	G8100HPS	()	()	(F,S,H)	()
150W High Pressure Sodium E17	G8150HPS	()	()	(F,S,H)	()
50W Mercury Vapor E17	G8050MV	()	()	(F,S,H)	(120,277)
70W Mercury Vapor E17	G8070MV	()	()	(F,S,H)	(120,277)
100W Mercury Vapor E17, R40	G8100MV	()	()	()	()
175W Mercury Vapor R40	G8175MV	()	()	(N)	()
Housing Only	G8HO	-	-	-	-

NOTE: Lamp not included.



PROJECT NOTES

APPROVAL

Bronzelite®

Note: Bronzelite reserves the right to modify the above details to reflect changes in the cost of materials &/or production &/or design without prior notice.

BRONZELITE - GENLYTE GROUP LLC • 100 Craftway • Littlestown, PA 17340 • Ph. (800) 273-1569 • Fax (717) 359-9545 • www.bronzelite.com

ISO 9001:2000 Registered

Copyright Genlyte Group LLC, BRONZELITE Division 2005

G8000HID-Rev2