

FIXTURE TYPE: _____

PROJECT NAME: _____

BRONZELITE GM4000 H.I.D. INGROUND FIXTURE SPECIFICATION SHEET



The GM4000 Series grade-mounted lighting is a flexible series offering high performance optics and a complete choice of light sources including mercury vapor, metal halide, high pressure sodium and incandescent/quartz. Higher wattages of up to 250 watt H.I.D. and up to 500 watt incandescent available for more demanding lighting tasks including larger area wall washing and taller flag poles.

model GM4000

SPECIFICATIONS

HOUSING: Single piece, compression molded, fiberglass reinforced polyester composite with integral lamp, ballast and junction box compartments with epoxy anti-siphon barrier. Two 3/4" N.P.T. conduit entrances are provided on the bottom of the junction box. Finish is dark bronze.

TOP PLATE AND LENS FRAME: Dark bronze polyester composite (standard). Optional polyester powder-coated cast aluminum top plate is available.

REFLECTOR: Reflectors for E17, E28 and T15 vertical lamps are specular spun aluminum. Reflectors for E17 horizontal lamps are a combination of Hammertone® and specular formed aluminum.

SOCKETS: Pulse-rated, heavy-duty glazed porcelain for medium and mogul base lamps.

AIMING: 360° horizontal rotation adjustment. *For E17, E28 and T15 vertical lamps:* 15° adjustment either side of vertical. *For E17 horizontal lamps:* 25° vertical adjustment. *For PAR38 and R40 lamps:* 30° vertical adjustment

LENS: 3/8" thick, clear, high-impact tempered glass. Lens is crowned and mounted flush with lens retainer to resist debris accumulation. 1,300 pound live-load (walk-over rated).

GASKETING: Single piece molded, ribbed silicone to provide a watertight sealing system.

FASTENERS: Tamperproof stainless steel.

ROCKGUARD: Optional, directional to control glare. Available in compression molded composite or cast bronze.

BALLAST MODULE: Core and coil, high power factor. Epoxy dipped for moisture resistance.

WIRING: High temperature wiring fixture.

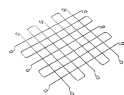
WARRANTY: Three year limited warranty.

CERTIFICATION: UL Listed to U.S. and Canadian safety standards for wet locations. ADA compliant when using in concrete and flush mounted with GM4CMF.

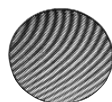
ACCESSORIES (Must Be Ordered Separately and Field Installed)



GM4CRG: cast aluminum rock guard (dark bronze).



GM4RG: wire rock guard



GM4HCL: honeycomb louver for E17 lamps.



GM4DS: cast aluminum directional shield (dark bronze).



GM4GL: internal glare louver.



GM4DL: internal directional louver.



GM4DSG: cast aluminum directional shield and rock guard (dark bronze).



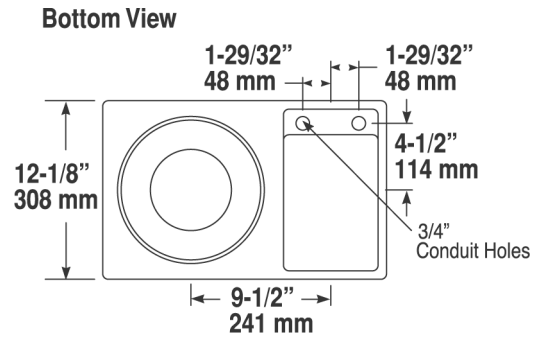
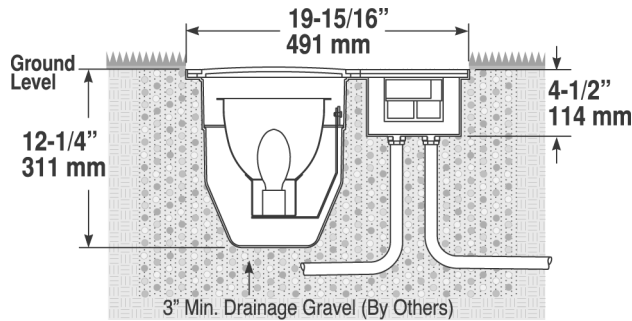
GM4CMF: concrete mounting frame.

Note: Bronzelite reserves the right to modify the above details to reflect changes in the cost of materials &/or production &/or design without prior notice.
BRONZELITE - GENLYTE GROUP LLC • 100 Craftway • Littlestown, PA 17340 • Ph. (800) 273-1569 • Fax (717) 359-9545 • www.bronzelite.com

FIXTURE TYPE: _____

PROJECT NAME: _____

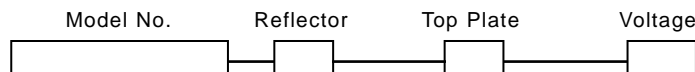
DIMENSIONS



ORDERING LOGIC - GM4000 H.I.D. INGROUND

- F=Flood
- S=Spot
- H=Horizontal
- N=PAR or R Lamps
- A=Dark Bronze Aluminum
- C=Dark Bronze Composite (standard)
- 120=120
- 208=208
- 240=240
- 277=277

Wattage/Lamp	Model No.	Reflector	Top Plate	Voltage
35W Metal Halide PAR20	GM4035MH	(N)	()	()
50W Metal Halide E17	GM4050MH	(F,S,H)	()	()
70W Metal Halide E17, PAR38	GM4070MH	()	()	()
100W Metal Halide E17, PAR38	GM4100MH	()	()	()
150W Metal Halide E17, PAR38	GM4150MH	()	()	()
250W Metal Halide S-T15, F-E28	GM4250MH	(F,S)	()	()
35W High Pressure Sodium E17	GM4035HPS	(F,S,H)	()	(120)
50W High Pressure Sodium E17	GM4050HPS	(F,S,H)	()	()
70W High Pressure Sodium E17, PAR38	GM4070HPS	()	()	()
100W High Pressure Sodium E17	GM4100HPS	(F,S,H)	()	()
150W High Pressure Sodium E17	GM4150HPS	(F,S,H)	()	()
250W High Pressure Sodium E28	GM4250HPS	(F,S)	()	()



PROJECT NOTES

APPROVAL

Bronzelite®

Note: Bronzelite reserves the right to modify the above details to reflect changes in the cost of materials &/or production &/or design without prior notice.

BRONZELITE - GENLYTE GROUP LLC • 100 Craftway • Littlestown, PA 17340 • Ph. (800) 273-1569 • Fax (717) 359-9545 • www.bronzelite.com

ISO 9001:2000 Registered

Copyright Genlyte Group LLC, BRONZELITE Division 2005

GM4000HID-Rev3