

FIXTURE TYPE: \_\_\_\_\_  
PROJECT NAME: \_\_\_\_\_

## BRONZELITE GM4000 INCANDESCENT INGROUND FIXTURE SPECIFICATION SHEET



The GM4000 Series grade-mounted lighting is a flexible series offering high performance optics and a complete choice of light sources including mercury vapor, metal halide, high pressure sodium and incandescent/quartz. Higher wattages of up to 250 watt H.I.D. and up to 500 watt incandescent available for more demanding lighting tasks including larger area wall washing and taller flag poles.

model GM4000

### SPECIFICATIONS

**HOUSING:** Single piece, compression molded, fiberglass reinforced polyester composite with integral lamp, ballast and junction box compartments with epoxy anti-siphon barrier. Two 3/4" N.P.T. conduit entrances are provided on the bottom of the junction box. Finish is dark bronze.

**TOP PLATE AND LENS FRAME:** Dark bronze polyester composite (standard). Optional polyester powder-coated cast aluminum top plate is available.

**SOCKETS:** 4kv, pulse-rated, heavy-duty glazed porcelain for medium and mogul base lamps. Mogul end prong lamp is provided for PAR56 lamps.

**AIMING:** 360° horizontal rotation adjustment. For *PAR56 lamps*: 25° vertical adjustment. For *PAR38/R40 lamps*: 30° vertical adjustment

**LENS:** 3/8" thick, clear, high-impact tempered glass. Lens is crowned and mounted flush with lens retainer to resist debris accumulation. 1,300 pound live-load (walk-over) rated.

**GASKETING:** Single piece molded, ribbed silicone to provide a watertight sealing system.

**FASTENERS:** Tamperproof stainless steel.

**ROCKGUARD:** Optional, directional to control glare. Available in compression molded composite or cast bronze.

**WIRING:** High temperature wiring.

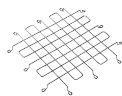
**WARRANTY:** Three year limited warranty.

**CERTIFICATION:** UL Listed to U.S. and Canadian safety standards for wet locations. ADA compliant when using in concrete and flush mounted with GM4CMF.

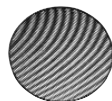
### ACCESSORIES (Must Be Ordered Separately and Field Installed)



**GM4CRG:** cast aluminum rock guard (dark bronze).



**GM4RG:** wire rock guard



**GM4HCL:** honeycomb louver for E17 lamps.



**GM4DS:** cast aluminum directional shield (dark bronze).



**GM4GL:** internal glare louver.



**GM4DL:** internal directional louver.



**GM4DSG:** cast aluminum directional shield and rock guard (dark bronze).



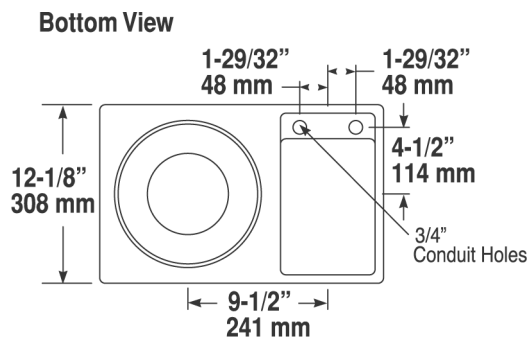
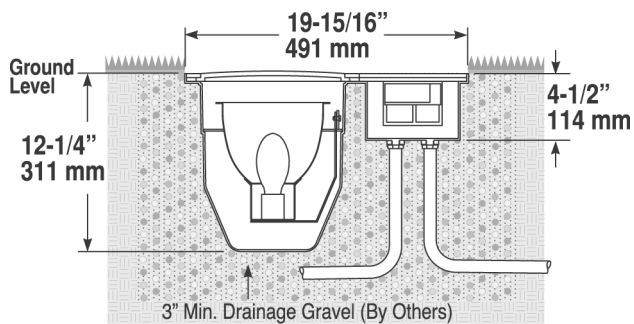
**GM4CMF:** concrete mounting frame.

Note: Bronzelite reserves the right to modify the above details to reflect changes in the cost of materials &/or production &/or design without prior notice.  
BRONZELITE - GENLYTE GROUP LLC • 100 Craftway • Littlestown, PA 17340 • Ph. (800) 273-1569 • Fax (717) 359-9545 • www.bronzelite.com

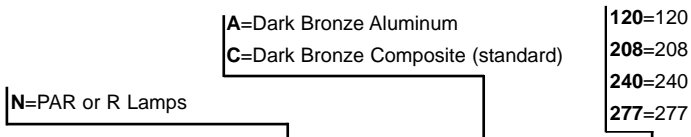
FIXTURE TYPE: \_\_\_\_\_

PROJECT NAME: \_\_\_\_\_

**DIMENSIONS**

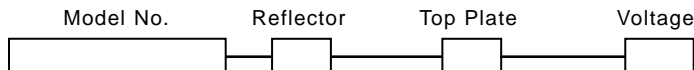


**ORDERING LOGIC - GM4000 INCANDESCENT INGROUND**



Wattage/Lamp	Model No.	Reflector	Top Plate	Voltage
100-300W Incandescent PAR38 or R40	<b>GM4300I</b>	(N)	( )	(120)
300-500W Incandescent PAR56	<b>GM4070MV</b>	(N)	( )	(120)

*Note: Lamp not included.*



**PROJECT NOTES**

\_\_\_\_\_

\_\_\_\_\_

\_\_\_\_\_

\_\_\_\_\_

\_\_\_\_\_

\_\_\_\_\_

\_\_\_\_\_

**APPROVAL**

**Bronzelite®**

Note: Bronzelite reserves the right to modify the above details to reflect changes in the cost of materials &/or production &/or design without prior notice.  
 BRONZELITE - GENLYTE GROUP LLC • 100 Craftway • Littlestown, PA 17340 • Ph. (800) 273-1569 • Fax (717) 359-9545 • www.bronzelite.com