

FIXTURE TYPE: _____

PROJECT NAME: _____

BRONZELITE METAL HALIDE INGROUND BALLAST BOX SPECIFICATION SHEET



All other IBH's



IBH1752

model IBH

SPECIFICATIONS

HOUSING: Inground housing and cover are compression-molded, fiberglass-reinforced polyester composite material with high-temperature rating. Cover is secured with eight stainless steel screws and sealed with an interior silicone O-ring. Two 3/4" threaded inlets on bottom for conduit entry.

INSTALLATION: Housing should be mounted in ground with three inches of gravel or sand surrounding the housing and ground level should be sloped up toward cover. Conduit entry point must be potted inside to prevent leakage.

ELECTRICAL: 120V Standard. Contact factory for other voltages. Long range ignitor standard. Core and coil ballast encapsulated for moisture resistance.

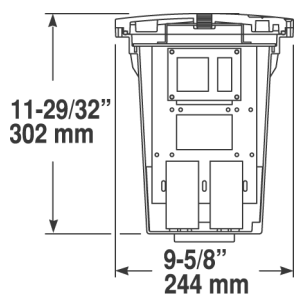
WARRANTY: Three year limited warranty.

CERTIFICATION: UL Listed to U.S. and Canadian safety standards for wet locations.

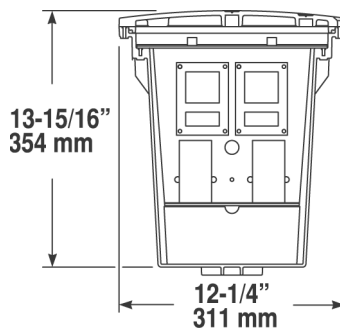
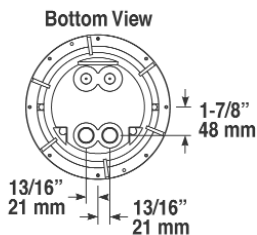
FIXTURE TYPE: _____

PROJECT NAME: _____

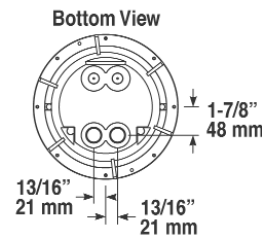
DIMENSIONS



All other IBH's



IBH1752



ORDERING LOGIC - METAL HALIDE HID BALLAST BOX

Model No.	Dimensions	Description	Max. Dist. to lamp
IBH351	9-5/8" Dia., 12-1/4" H	(1) 35-Watt MH	15 feet
IBH352	9-5/8" Dia., 12-1/4" H	(2) 35-Watt MH	15 feet
IBH501	9-5/8" Dia., 12-1/4" H	(1) 50-Watt MH	20 feet
IBH502	9-5/8" Dia., 12-1/4" H	(2) 50-Watt MH	20 feet
IBH701	9-5/8" Dia., 12-1/4" H	(1) 70-Watt MH	50 feet
IBH702	9-5/8" Dia., 12-1/4" H	(2) 70-Watt MH	50 feet
IBH1001	9-5/8" Dia., 12-1/4" H	(1) 100-Watt MH	20 feet
IBH1002	9-5/8" Dia., 12-1/4" H	(2) 100-Watt MH	20 feet
IBH1751	9-5/8" Dia., 12-1/4" H	(1) 175-Watt MH	50 feet
IBH1752	12-1/4" Dia., 15" H	(2) 175-Watt MH	50 feet

PROJECT NOTES

APPROVAL

Bronzelite®

Note: Bronzelite reserves the right to modify the above details to reflect changes in the cost of materials &/or production &/or design without prior notice.
BRONZELITE - GENLYTE GROUP LLC • 100 Craftway • Littlestown, PA 17340 • Ph. (800) 273-1569 • Fax (717) 359-9545 • www.bronzelite.com