

FIXTURE TYPE: _____

PROJECT NAME: _____

BRONZELITE PT12 AREA & WALKWAY FIXTURE SPECIFICATION SHEET



The Bronzelite PT12 classic lantern features compact size and architectural styling. They are perfect for low level lighting of commercial walkways, driveways, deck and pool areas.

The PT12 is part of the PT/PTL family of lanterns that includes a low voltage stem top mount (PTL12) as well as low and line voltage pendant-types (PTL11 and PT11, respectively). Both low voltage versions are designed for sources up to 20 watt T3 bi-pin base lamps while both line voltage versions utilize up to 60 watt A19 lamps.

model PT12

SPECIFICATIONS

HOUSING: Roof, finial, lens holder, and stem holder are cast aluminum.

LENS: Opal soda lime art glass, removable for cleaning.

STEM: (*Note-sold separately*) Extruded aluminum, has 1/2" NPT male threads to screw on to accessory mounting stake or junction box (*sold separately*).

SOCKET: Porcelain, medium base.

LAMP: 60 watt maximum A19 lamp.

WIRING: Prewired with high temperature # 18 AWG.

FINISH: Black (BLK) and Dark Bronze (DB) finishes are thermoset polyester powdercoat. Verde (VRD) finish is hand-rubbed over a black thermoset polyester powdercoat.

ACCESSORIES: Accessory mounting stem is available in either 36" length (BLS36), 24" length (BLS24) or 12" length (BLS12). Finish suffix must be added to complete the catalog number.

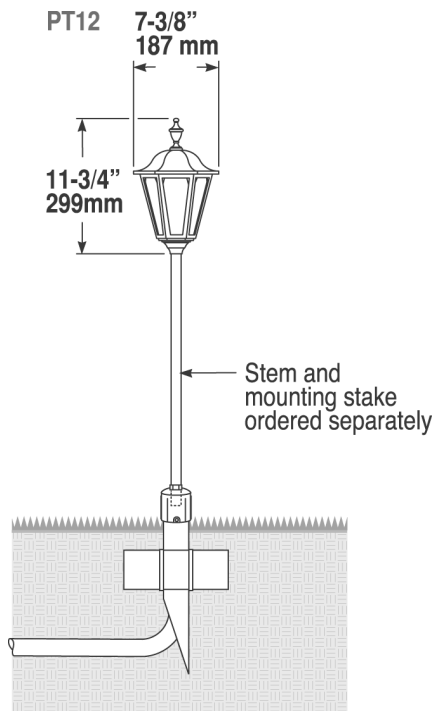
WARRANTY: Three year limited warranty.

CERTIFICATION: UL Listed to U.S. and Canadian safety standards for wet locations.

FIXTURE TYPE: _____

PROJECT NAME: _____

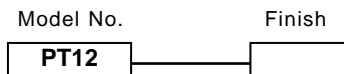
ELECTRICAL SPECIFICATIONS



ORDERING LOGIC - PT12

BLK=Black
VRD=Verde
DB=Bronze

Lamp	Model No.	Finish
60W A19	PT12	()



PROJECT NOTES

APPROVAL

Bronzelite®

Note: Bronzelite reserves the right to modify the above details to reflect changes in the cost of materials &/or production &/or design without prior notice.
BRONZELITE - GENLYTE GROUP • 100 Craftway • Littlestown, PA 17340 • Ph. 800-273-1569 • Fax (717) 359-9545 • www.bronzelite.com