

FIXTURE TYPE: \_\_\_\_\_

PROJECT NAME: \_\_\_\_\_

## BRONZELITE PTL12 AREA & WALKWAY FIXTURE SPECIFICATION SHEET



The Bronzelite PTL12 classic lantern features compact size and architectural styling. They are perfect for low level lighting of commercial walkways, driveways, deck and pool areas.

The PTL12 is part of the PT/PTL family of lanterns that includes a line voltage stem top mount (PT12) as well as low and line voltage pendant-types (PTL11 and PT11, respectively). Both low voltage versions are designed for sources up to 20 watt T3 bi-pin base lamps while both line voltage versions utilize up to 60 watt A19 lamps.

model PTL12

### SPECIFICATIONS

**HOUSING:** Roof, finial, lens holder, and stem holder are cast aluminum.

**LENS:** Opal soda lime art glass, removable for cleaning.

**STEM:** *(Note-sold separately)* Extruded aluminum, has 1/2" NPT male threads to screw on to accessory mounting stake or junction box *(sold separately)*.

**SOCKET:** Glazed porcelain, bi-pin.

**LAMP:** 20 watt maximum T3 lamp, included with fixture.

**WIRING:** Prewired with 3-ft pigtail and includes a quick connector for easy hook-up to the low voltage supply cable *(not included)*. 12 volt system requires remote transformer *(sold separately)*.

**FINISH:** Black (BLK) and Dark Bronze (DB) finishes are thermoset polyester powdercoat. Verde (VRD) finish is hand-rubbed over a black thermoset polyester powdercoat.

**ACCESSORIES:** Accessory mounting stem is available in either 36" length (BLS36), 24" length (BLS24) or 12" length (BLS12). Finish suffix must be added to complete the catalog number.

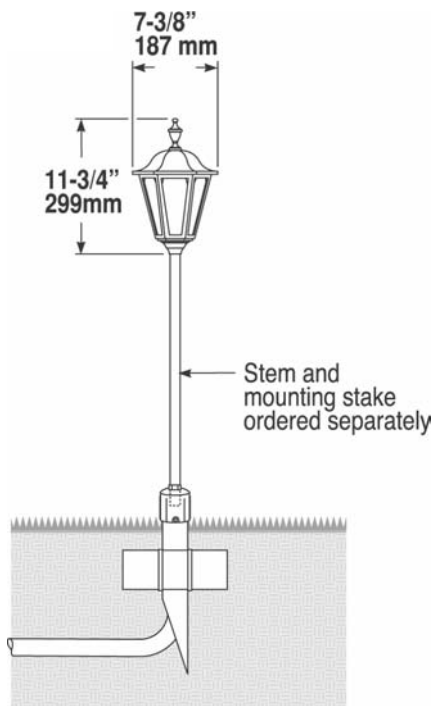
**WARRANTY:** Three year limited warranty.

**CERTIFICATION:** UL Listed to U.S. and Canadian safety standards for wet locations.

FIXTURE TYPE: \_\_\_\_\_

PROJECT NAME: \_\_\_\_\_

**ELECTRICAL SPECIFICATIONS**



**ORDERING LOGIC - PTL12**

BLK=Black  
 VRD=Verde  
 DB=Bronze

Lamp	Model No.	Finish
20W T-3, 12V (included)	PTL12	( )

Model No.      Finish

PTL12     

**PROJECT NOTES**

\_\_\_\_\_  
 \_\_\_\_\_  
 \_\_\_\_\_  
 \_\_\_\_\_  
 \_\_\_\_\_  
 \_\_\_\_\_  
 \_\_\_\_\_  
 \_\_\_\_\_

**APPROVAL**

**Bronzelite**® Sure to endure®

Note: Bronzelite reserves the right to modify the above details to reflect changes in the cost of materials &/or production &/or design without prior notice.  
 BRONZELITE - GENLYTE GROUP • 100 Craftway • Littlestown, PA 17340 • Ph. 800-273-1569 • Fax (717) 359-9545 • www.bronzelite.com