

READ THESE INSTRUCTIONS CAREFULLY BEFORE INSTALLING THIS FIXTURE.



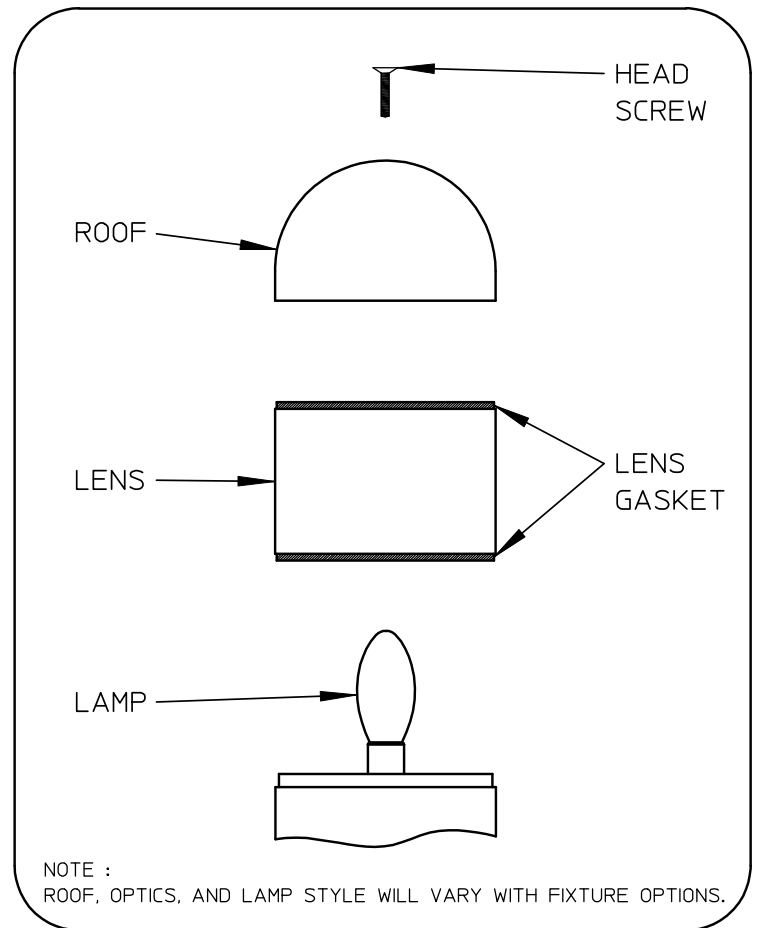
NOTICE: THIS FIXTURE IS INTENDED FOR INSTALLATION IN ACCORDANCE WITH THE NATIONAL ELECTRICAL CODE, STATE AND LOCAL CODE SPECIFICATIONS.



READ THESE INSTRUCTIONS CAREFULLY BEFORE INSTALLING THIS FIXTURE.
Retain these instructions for future reference. Failure to follow instructions and codes will void warranty, damage fixture and could result in injury.

CAUTION

1. WARNING : TURN POWER OFF BEFORE INSTALLING OR PERFORMING ANY MAINTENANCE ON THIS FIXTURE. Failure to do so may result in severe injury or death.
2. GFI PROTECTION! Fixtures which may come in contact with or be exposed to moisture (i.e. outdoors) shall be installed on a GFI (Ground Fault Interruptor) circuit. (120V only.)
3. The fixture should not be installed in low lying areas or where water may accumulate and stand for long periods of time.



INSTALLATION

1. WARNING : Make sure the power is off before installing or servicing this fixture.
2. Install the anchor rods into a concrete footing as indicated on the supplied template. Install and level the twistlock baseplate with ballast assembly as shown on the template.
3. Connect the supply lines from the supply conduit to the fixture's inputs. Tie the wires so they do not lie on the ground.
4. Set the fixture onto the twistlock baseplate using the "Align Screw" mark shown on the baseplate to orient the fixture. Be sure not to crimp any wires in the twistlock.
5. Turn the fixture clockwise about 1/8 turn until hand tight. Tighten the set screw to lock it in place.
6. Install a lamp per the relamping instructions below and test the fixture for proper operation.

RELAMPING

Make sure power is off before relamping. Remove the head screw from the top of the roof and lift the roof off of the fixture. Replace the lamp or install a new one per the label on the fixture. Replace the roof, checking to ensure the lens gasket is properly seated. Tighten the head screw.