

FIXTURE TYPE: \_\_\_\_\_

PROJECT NAME: \_\_\_\_\_

## BRONZELITE RD8 BOLLARD AREA/WALKWAY SPECIFICATION SHEET



The R8 Series bollards provide unsurpassed optical versatility to fulfill a wide range of lighting needs, including driveway, sidewalk and pathway. The glass refractor optics - Type 5 with or without house side shield and Type 3 - direct light outward for maximum spacing. The cone optics provide an efficient, even illumination. Specular and white powder-coated louvers direct light downward for optimum control.

All optical systems are protected by a clear acrylic lens and will accommodate sources up to 100 watt incandescent and 100 watt HID. The glass refractors and louvers will also accommodate up to 42 watt PL-T compact fluorescent. Available in 24", 30", 36" and 42" heights, the R8 Series includes the Dome (D) and Flat (F) style head assembly.

### SPECIFICATIONS

**HEAD ASSEMBLY:** Cast aluminum. Access for re-lamping is by one stainless steel fastener.

**FIXTURE COLUMN:** Extruded aluminum, 8" diameter with .125" wall thickness.

**FIXTURE BASE:** Heavy-duty cast aluminum with four hole bolt pattern using 3/8"-16 UNC x 8" galvanized steel anchor bolts and twist-lock feature for easy fixture mounting. Column is secured to base with stainless steel locking screw.

**OPTIC ASSEMBLY:** Borosilicate Type 5 glass refractor with or without house side shield, borosilicate Type 3 glass refractor, conical specular aluminum reflector, white powder-coated louvers or specular louvers.

**LENS:** Single-piece clear acrylic with high temperature silicone gaskets for positive sealing of optical chamber.

**SOCKETS:** Sockets for incandescent and HID are all 4KV pulse rated high temperature porcelain. Sockets for compact fluorescent are high temperature plastic: 26 watt is GX24Q-3, 28 watt is GX32D-3, 32 watt is GX24Q-3, 42 watt is GX24Q-4.

**BALLAST:** Ballasts for HID are high power factor core and coil, multi-tap. Ballast for 28W PL-C compact fluorescent are core and coil, 120 VAC. Ballasts for 26/32/42W PL-T compact fluorescent are electronic, universal voltage 120-277V, 50 or 60Hz.

**FINISH:** Black (BLK), White (WHT), Dark Bronze (DB) and Dark Green (DGRN) finishes are thermoset polyester powder-coat. Verde (VRD) finish hand-rubbed over a black thermoset polyester powdercoat. Also available in highly weather-resistant CraftStone™ finishes (Limestone or Sandstone) which are bonded to the aluminum substrate.

**WARRANTY:** Three year limited warranty.

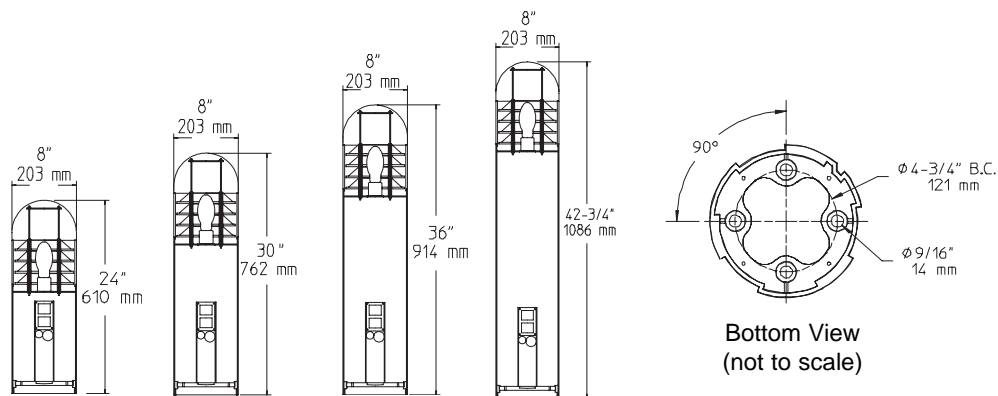
**CERTIFICATION:** UL Listed to U.S. and Canadian safety standards for wet locations.

model RD8

Bronzelite®

FIXTURE TYPE: \_\_\_\_\_

**DIMENSIONS**



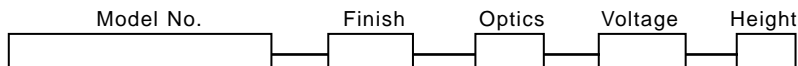
**ORDERING LOGIC - RD8 BOLLARD**

- L=Limestone
- S=Sandstone
- BL=Black
- WH=White
- VR=Verde
- DB=Dark Bronze
- DG=Dark Green
- SL=Silver
- F=Cone\*
- 3= Type III Refractor
- 5=Type V Refractor
- 5S=Type V Refractor with House Side Shield
- LW=White Louvers
- LS=Specular Louvers
- 120=120
- 208=208
- 240=240
- 277=277
- 24=24"
- 30=30"
- 36=36"
- 42=42" (standard)

Wattage	Model No.	Finish	Optics	Voltage	Height	Socket
50W Metal Halide E17	RD8050MH	( )	( )	(120,277)	( )	Medium
70W Metal Halide E17	RD8070MH	( )	( )	( )	( )	Medium
100W Metal Halide E17	RD8100MH	( )	( )	( )	( )	Medium
35W High Pressure Sodium E17	RD8035HPS	( )	( )	(120)	( )	Medium
50W High Pressure Sodium E17	RD8050HPS	( )	( )	( )	( )	Medium
70W High Pressure Sodium E17	RD8070HPS	( )	( )	( )	( )	Medium
100W High Pressure Sodium E17	RD8100HPS	( )	( )	( )	( )	Medium
100W Incandescent A21	RD8100I	( )	( )	(120)	( )	Medium
26W Fluorescent PLT GX24Q-3*	RD8026F	( )	(3,5,5S,LW,LS)	( )	( )	GX24Q-3
28W Fluorescent PLC28 GX32D-3*	RD8028F	( )	(3,5,5S,LW,LS)	(120)	( )	GX32D-3
32W Fluorescent PLT GX24Q-3*	RD8032F	( )	(3,5,5S,LW,LS)	( )	( )	GX24Q-3
42W Fluorescent PLT GX24Q-4*	RD8042F	( )	(3,5,5S,LW,LS)	( )	( )	GX24Q-4

**NOTE: Lamp not included.**

**\*Cone Optic not available with fluorescent lamps.**



**PROJECT NOTES**

---



---



---



---



---



---



---



---

**APPROVAL**

**Bronzelite®**

Note: Bronzelite reserves the right to modify the above details to reflect changes in the cost of materials &/or production &/or design without prior notice.

BRONZELITE - GENLYTE GROUP • 100 Craftway • Littlestown, PA 17340 • Ph. (800) 273-1569 • Fax (717) 359-9545 • www.bronzelite.com

ISO 9001:2000 Registered

Copyright Genlyte Group, BRONZELITE Division 2005

RD8-Rev4