

FIXTURE TYPE: _____

PROJECT NAME: _____

BRONZELITE RF6 BOLLARD AREA/WALKWAY SPECIFICATION SHEET



Stylish and slim, the Bronzelite R6 bollards provide powerful yet cost effective solutions to driveway and walkway lighting needs. The glass refractor optics - Type 5 with or without house side shield - direct light outward for maximum spacing. The cone optics provide an efficient, even illumination.

All optical systems are protected by a clear acrylic lens and will accommodate sources up to 100 watt incandescent and 100 watt HID. The glass refractors and louvers will also accommodate up to 42 watt PL-T compact fluorescent. Available in 24", 30" and 38" heights, the R6 Series includes the Dome (D) and Flat (F) style head assembly.

model RF6

SPECIFICATIONS

HEAD ASSEMBLY: Spun aluminum. Access for re-lamping is by one stainless steel fastener.

FIXTURE COLUMN: Extruded aluminum, 6" diameter with .125" wall thickness.

FIXTURE BASE: Heavy-duty cast aluminum with three hole bolt pattern using 3/8"-16 UNC x 8" galvanized steel anchor bolts and twist-lock feature for easy fixture mounting. Column is secured to base with stainless steel locking screw.

OPTIC ASSEMBLY: Borosilicate Type 5 glass refractor with or without house side shield or conical specular aluminum reflector.

LENS: Single-piece clear acrylic with high temperature silicone gaskets for positive sealing of optical chamber.

SOCKETS: Sockets for incandescent and HID are all 4KV pulse rated high temperature porcelain. Sockets for compact fluorescent are high temperature plastic: 26 watt is GX24Q-3, 28 watt is GX32D-3, 32 watt is GX24Q-3, 42 watt is GX24Q-4.

BALLAST: Ballasts for HID are high power factor core and coil, multi-tap. Ballast for 28W PL-C compact fluorescent are core and coil, 120 VAC. Ballasts for 26/32/42W PL-T compact fluorescent are electronic, universal voltage 120-277V, 50 or 60Hz.

FINISH: Black (BLK), White (WHT), Dark Bronze (DB) and Dark Green (DGRN) finishes are thermoset polyester powdercoat. Verde (VRD) finish hand-rubbed over a black thermoset polyester powdercoat. Also available in highly weather-resistant CraftStone™ finishes (Limestone or Sandstone) which are bonded to the aluminum substrate.

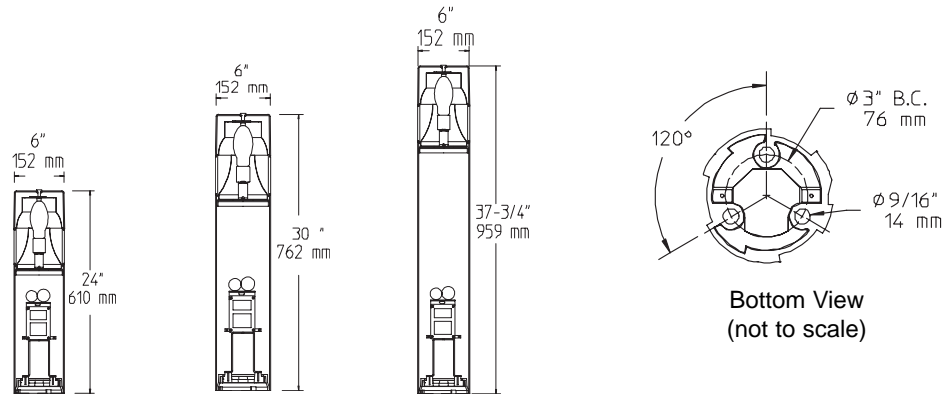
WARRANTY: Three year limited warranty.

CERTIFICATION: UL Listed to U.S. and Canadian safety standards for wet locations.

FIXTURE TYPE: _____

PROJECT NAME: _____

DIMENSIONS



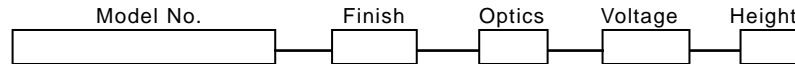
ORDERING LOGIC - RF6 BOLLARD

- L=Limestone
- S=Sandstone
- BL=Black
- WH=White
- VR=Verde
- DB=Dark Bronze
- DG=Dark Green
- SL=Silver
- F=Cone*
- 5=Type V Refractor
- 5S=Type V Refractor with House Side Shield
- 120=120
- 208=208
- 240=240
- 277=277
- 24=24"
- 30=30"
- 38=38" (standard)

Wattage	Model No.	Finish	Optics	Voltage	Height	Socket
50W Metal Halide E17	RF6050MH	()	()	(120,277)	()	Medium
70W Metal Halide E17	RF6070MH	()	()	()	()	Medium
100W Metal Halide E17	RF6100MH	()	()	()	()	Medium
35W High Pressure Sodium E17	RF6035HPS	()	()	(120)	()	Medium
50W High Pressure Sodium E17	RF6050HPS	()	()	()	()	Medium
70W High Pressure Sodium E17	RF6070HPS	()	()	()	()	Medium
100W High Pressure Sodium E17	RF6100HPS	()	()	()	()	Medium
100W Incandescent A21	RF6100I	()	()	(120)	()	Medium
26W Fluorescent PLT GX24Q-3*	RF6026F	()	(5,5S)	()	()	GX24Q-3
28W Fluorescent PLC28 GX32D-3*	RF6028F	()	(5,5S)	(120)	()	GX32D-3
32W Fluorescent PLT GX24Q-3*	RF6032F	()	(5,5S)	()	()	GX24Q-3
42W Fluorescent PLT GX24Q-4*	RF6042F	()	(5,5S)	()	()	GX24Q-4

NOTE: Lamp not included.

**Cone Optic not available with fluorescent lamps.*



PROJECT NOTES

APPROVAL

Bronzelite®

Note: Bronzelite reserves the right to modify the above details to reflect changes in the cost of materials &/or production &/or design without prior notice.

BRONZELITE - GENLYTE GROUP • 100 Craftway • Littlestown, PA 17340 • Ph. (800) 273-1569 • Fax (717) 359-9545 • www.bronzelite.com

ISO 9001:2000 Registered

Copyright Genlyte Group, BRONZELITE Division 2005

RF6-Rev4