

FIXTURE TYPE: _____

PROJECT NAME: _____

BRONZELITE RWC ROUND WALL CANOPY SPECIFICATION SHEET



Shown with TL7000 bullyte
(not included).

The cast aluminum wall-mounted round canopy is designed for easy mounting to a variety of recessed junction boxes. Aluminum or composite bullytes or floodlytes (order separately) can now be mounted directly on vertical surfaces for a variety of commercial applications. Wall canopy is ideally suited for incandescent luminaires as well as HID and fluorescent luminaires that have an integral ballast.

model RWC

SPECIFICATIONS

HOUSING: Cast aluminum housing and mounting plate with stainless steel fasteners.

ELECTRICAL: Quick disconnect wiring feature. 1/2" NPS central mounting hub for aluminum or composite fixture (not included) with single tamper-resistant set screw.

MOUNTING: Wall mounting, 7/8" supply wire entry, multiple mounting options for up to 4" recessed junction box.

FINISH: Available in color thermoset polyester powder coat Black (BLK), White (WHT) or Dark Bronze (DB), or Verde (VRD) hand-rubbed over black thermoset polyester powder coat.

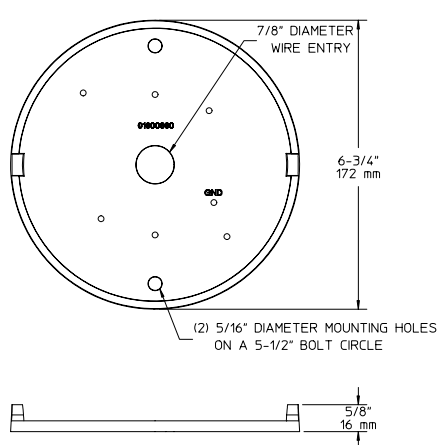
WARRANTY: Three year limited warranty.

CERTIFICATION: UL Listed to U.S. and Canadian safety standards for wet locations.

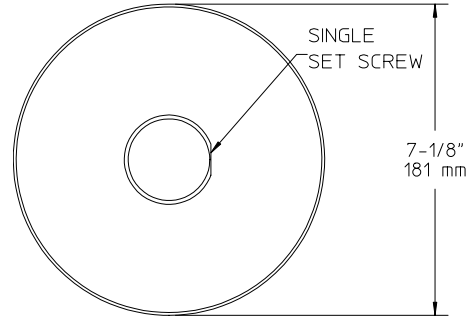
FIXTURE TYPE: _____

PROJECT NAME: _____

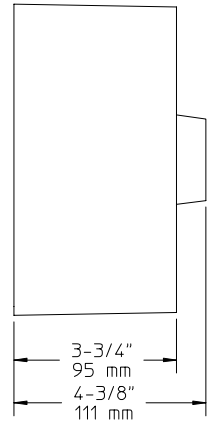
DIMENSIONS



Backplate



Canopy Housing



ORDERING LOGIC - RWC

- BLK=Black
- WHT=White
- DB=Dark Bronze
- VRD=Verde

Model No.	Finish
RWC	()

Model No.	Finish
RWC	

PROJECT NOTES

APPROVAL

Bronzelite®