

FIXTURE TYPE: _____
PROJECT NAME: _____

BRONZELITE SG7000 INGROUND FIXTURE SPECIFICATION SHEET



The SG7000 Series fixture is a rugged and effective lighting fixture for use in in-ground applications. A tough polyester composite housing, cast stainless steel ring, molded lens and high temperature silicone gasket gives positive protection to optical and electrical components. Fixture can be specified for use with 70 watt maximum PAR30 metal halide or 75 watt maximum PAR/R30 incandescent.

model SG7000

SPECIFICATIONS

EXTERNAL LENS RING: Cast matte stainless steel, secured to housing with tamper-resistant stainless steel fasteners.

LENS: Tempered borosilicate glass for high impact resistance. Lens is convex.

LENS GASKET: High temperature silicone suitable for seal in extreme conditions.

INTERNAL LENS RING: Cast matte stainless steel, secures lens to external lens ring.

HOUSING: Compression molded, fiber-glass reinforced polyester composite with high temperature rating. Integral junction box with two 3/4" conduit entries with provision for a field-drilled and tapped branch outlet. Re-enterable potting compound provided to seal junction box.

SOCKET: Porcelain medium base, 4kv pulse rated.

BALLAST MODULE: Encapsulated in epoxy for moisture resistance. All capacitors rated for minimum 100°C for longer life. All electrical connections are quick disconnect.

WIRING: Pre-wired with high-temperature #18 AWG.

WARRANTY: Three year limited warranty.

CERTIFICATION: UL Listed to U.S. and Canadian safety standards for wet locations.

CAUTION: Landscape lighting fixtures can sometimes produce extreme heat on exposed surfaces. Care should be taken when installing in walkway areas as external temperatures from certain lamps could injure bare feet.

ACCESSORIES (Must Be Ordered Separately and Field Installed)



CP7: PVC concrete pour kit for use when SG7000 is installed flush in concrete. Must be installed with housing.



CPS7: Decorative matte finish stainless steel concrete pour kit for use when SG7000 is installed flush in concrete. Must be installed with housing.

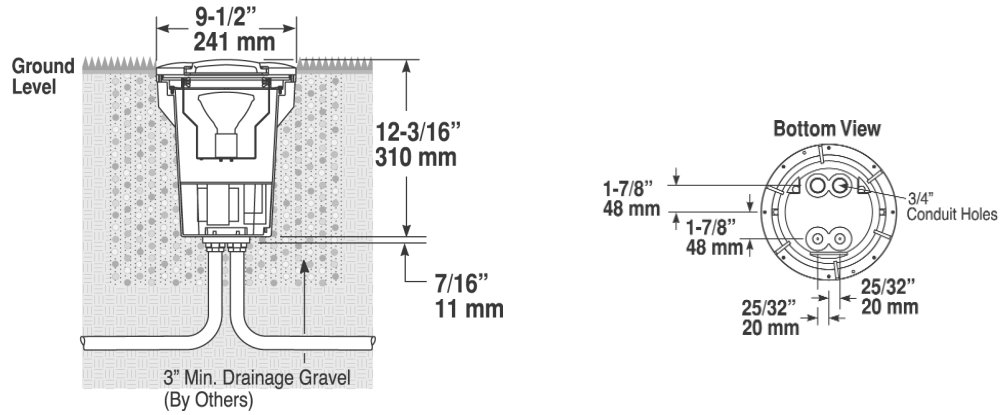


IHL30: Internal snap-on honeycomb louver for PAR30 lamps.

FIXTURE TYPE: _____

PROJECT NAME: _____

DIMENSIONS



ORDERING LOGIC - SG7000

Wattage/Lamp	Model No.	Volts
35W Metal Halide PAR20	SG7035MHPARSS	120
70W Metal Halide PAR30	SG7070MHPARSS	120
75W Incandescent PAR/R30	SG7075ISS	120
Housing Only	G7HO	-

NOTE: Lamp not included.

Model No.

PROJECT NOTES

APPROVAL

Bronzelite®

Note: Bronzelite reserves the right to modify the above details to reflect changes in the cost of materials &/or production &/or design without prior notice.
BRONZELITE - GENLYTE GROUP LLC • 100 Craftway • Littlestown, PA 17340 • Ph. (800) 273-1569 • Fax (717) 359-9545 • www.bronzelite.com