

FIXTURE TYPE: _____
 PROJECT NAME: _____

WLM2 SERIES - SINGLE LED STEP LIGHT

MODEL WLM2 SERIES



DOME

FLUSH

EYELID

The WLM2 step light contains one LED and has an onboard driver that accepts low voltage input. It is ideal for any location that is difficult to maintain, a low level pathway system, architectural accent, staircase, deck, outdoor kitchen, etc. Easily mounts to wood, tile, stone, glass, stainless steel, etc.

SPECIFICATIONS

LED FEATURES: Long life, up to 60,000 hours. Low 1.5 watt power consumption. Low profile. Uses the latest LUXEON® Rebel LED technology. 40 lumen minimum output for white. Consult factory for additional options.

OPERATING CONDITIONS: Runs off 12V AC/DC power. Current draw equals 0.128A @ 12VDC, 1.5 watts. Multiple modules can be connected in parallel for longer runs off a single supply. Ambient Temperature limits -30°C to +55°C (-22°F to 131°F).

HOUSING: Anodized aluminum housing and covers. Optional polycarbonate niche mounting box available for direct burial in concrete or ground.

MATERIALS/FINISH: Aluminum base and “snap-on” top cover. PMMA lens. Teflon Lead Wires 20” (508mm) long, 20AWG.

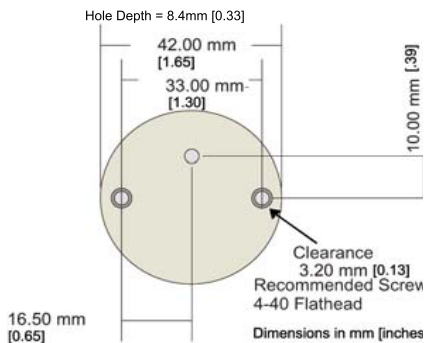
IP RATING: IP67 rated for interior or exterior use.

WARRANTY: 10 Year limited warranty.

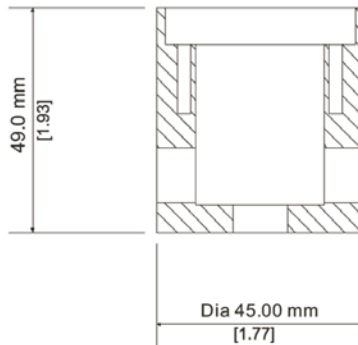
CERTIFICATION: ETL listed to UL standards for dry, damp or wet locations.

MOUNTING INFORMATION

RECESS CUTOUT HOLE FOR FLUSH OR EYELID



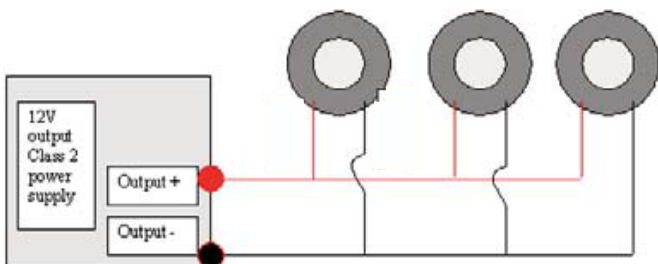
Mounting box for physical setting & stability. It is not waterproof, make connections with waterproof wire nuts.



Optional recessing mounting box



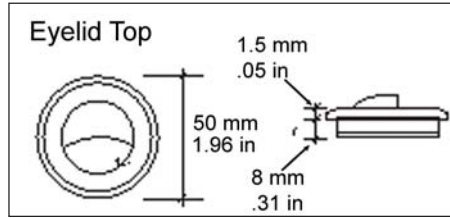
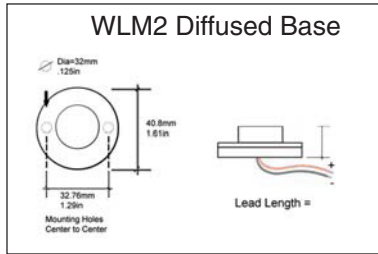
WIRING DIAGRAM



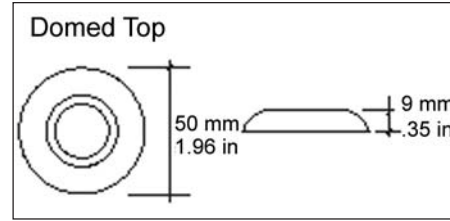
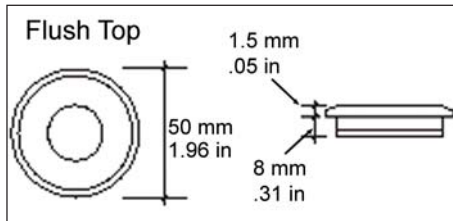
FIXTURE TYPE: _____

PROJECT NAME: _____

DIMENSIONS



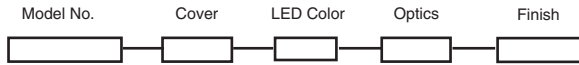
Eyelid top not compatible with spot base optic



ORDERING LOGIC - WLM2 SERIES

Model No.	Cover	LED Color	Optics	Finish
WLM2	D	()	()	SLV
WLM2	E	()	D	SLV
WLM2	F	()	()	SLV

Model No.	Description
WLMJB	Optional Recessing Mounting Box Order as a separate accessory



LED Color

C = Cool White 5300K/ 40 lumen min.
 N = Neutral White 4000K/ 40 lumen min.
 W = Warm White 3050K/ 40 lumen min.

PROJECT NOTES

APPROVAL