

FIXTURE TYPE: _____

PROJECT NAME: _____

BRONZELITE WLA3000 STEPLYTE SPECIFICATION SHEET



The WLA3000 Recessed Round Steplyte combines elegant styling with multiple lamping options available. The WLA3000 Round Steplyte has a cast louver face plate with a shadow-free frosted lens.

model WLA3000

SPECIFICATIONS

HOUSING: Recessed, water-tight die-cast aluminum (copper-free) for corrosion resistance in concrete applications.

FASTENERS: Captive, black oxide stainless steel, tamper resistant.

GASKET: Single piece molded silicone.

SOCKET: HID and incandescent models, porcelain 4KV pulse rated medium base socket. GY6.35 bi-pin for T4. Compact fluorescent models, high temperature plastic; 26 watt is GX24q-3, 32 watt is GX24q-3, 42 watt is GX24q-4.

REFLECTOR: *Symmetric:* Precision formed, highly polished specular aluminum. The frosted lens and cast louver offer lower light levels with cutoff for lighting stairways or general area lighting where shielding of the light source is more important than high light levels. *Asymmetric reflector:* Precision formed, semi-specular and light diffuse

aluminum, which is field-adjustable for an asymmetric right or left distribution for lighting stairways. Compact fluorescent lamping not available in asymmetric.

LENS FRAME: *Cast Louver:* Die-cast aluminum (copper-free), offering 45° shielding; lens is flat frosted glass and attached to back of louver with stainless steel clips. Lens is completely sealed to prevent water, dust and insect infiltration.

Bubble Lens: UV-stabilized injection molded clear polycarbonate; lamp projects out of the wall, enabling efficient bare lumens to be directed down at ground level and a wide distribution for further spacing of fixtures.

BALLAST: HID ballasts are HPF. Fluorescent ballasts for 26/32/42 watt PL-T are electronic, universal voltage 120-277V, 50 or 60 Hz. Ballasts are factory wired and tested.

WIRING COMPARTMENT: Internal wiring compartment contains two (2) 1/2" NPT conduit taps in the bottom and one (1) 1/2" NPT conduit tap in each side. A removable plug will be provided for (3) of the (4) tapped holes.

FINISH: Thermoset polyester powdercoat, available in Black (BLK) and Dark Bronze (DB).

WARRANTY: Three year limited warranty.

CERTIFICATION: UL Listed to U.S. and Canadian safety standards for wet locations.

ADA: This fixture is in compliance with the Americans with Disabilities Act.

ACCESSORIES (Must Be Ordered Separately and Field Installed)



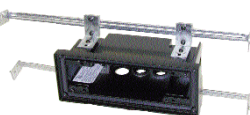
INSULATION PROTECTOR: Required for drywall, plaster, wood and other non-masonry installations with exception of fluorescent lampings, and

must be ordered as an option (see page 2). Not required or offered for concrete, brick or other masonry installations. Unit is mounted from inside housing and is field replaceable without removing housing.

BMA1: Masonry Wall Installation kit.



BMA2: New stud installation kit.



BMA3: Existing installation kit.



Note: Bronzelite reserves the right to modify the above details to reflect changes in the cost of materials &/or production &/or design without prior notice.

BRONZELITE - GENLYTE GROUP LLC • 100 Craftway • Littlestown, PA 17340 • Ph. (800) 273-1569 • Fax (717) 359-9545 • www.bronzelite.com

ISO 9001:2000 Registered

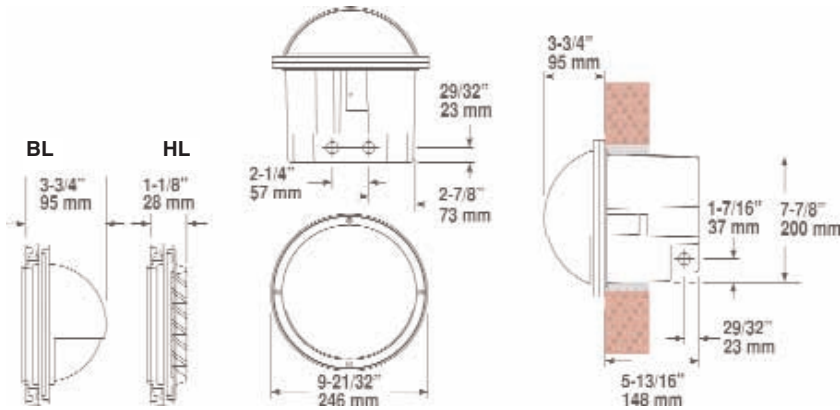
Copyright Genlyte Group LLC, BRONZELITE Division 2008

WLA3000-Rev3

Bronzelite.

FIXTURE TYPE: _____
 PROJECT NAME: _____

DIMENSIONS & MOUNTING DETAILS



ORDERING LOGIC - WLA3000

HL=Horizontal Louver
 BL=Bubble Lens
 120=120V
 208=208V
 240=240V
 277=277V
 BLK=Black
 DB=Dark Bronze
 P=Thermal Protector*

Wattage/Lamp	Model No.	Face Plate	Voltage	Finish	Thermal Protector
50W Metal Halide E17	WLA3050MH	()	(120,277)	()	()
70W Metal Halide E17	WLA3070MH**	(BL)	(120,277)	()	-
35W High Pressure Sodium E17	WLA3035HPS	()	(120,277)	()	()
50W High Pressure Sodium E17	WLA3050HPS	()	(120,277)	()	()
70W High Pressure Sodium E17	WLA3070HPS**	(BL)	(120,277)	()	-
26W Fluorescent PL-T GX24q-4	WLA3026F	()	()	()	-
32W Fluorescent PL-T GX24q-3	WLA3032F	()	()	()	-
42W Fluorescent PL-T GX24q-4	WLA3042F	()	()	()	-
50W Low Voltage T4 (LV Transformer Included)	WLA3050	()	(120/12)	()	()
60 W Incandescent A19	WLA3060INC	()	(120)	()	()
-	WLA3HO (Housing only for Pre-ship)	-	-	()	-

To order fixture without housing, add suffix "LH" (less housing) to complete catalog number. Example: **WLA3050MHHL120DBLH**
 *Thermal protection is required for interior or insulated walls. Add suffix "P" to ordering number. Not required for fluorescent.
 **Both 70W Metal Halide and High Pressure Sodium are with Bubble Lens only and masonry installations only.
NOTE: Lamp not included.

Model No. Faceplate Voltage Finish Thermal Protector

— — — —

PROJECT NOTES

APPROVAL

Bronzelite.