

FIXTURE TYPE: _____
PROJECT NAME: _____

BRONZELITE DB2000 VARIABLE HEIGHT INGROUND FIXTURE SPECIFICATION SHEET



The DB2000 Series variable height in-ground fixture is a rugged and effective lighting instrument for use in a wide variety of outdoor lighting applications. A tough polyester composite sealed in-ground fixture with molded soda-lime lens and high-temperature silicone gasket gives positive protection to optical and electrical components. This fixture is contained within a rugged PVC sleeve that can be installed from flush to 20" above finished grade, making this fixture a must in planting areas. Optional finishes on the well sleeve make the DB2000 a pleasing architectural accent as well as a durable precision lighting instrument.

model DB2000

SPECIFICATIONS

HOUSING: Single-piece compression molded, fiberglass reinforced polyester composite. Integral junction box has two 3/4" conduit entries.

EXTERNAL WALKOVER LENS: Standard 1/4" thick, clear, high impact tempered glass. Slip resistant lenses are also available.

INTERNAL LENS & GASKET: Convex lens is clear, high-impact tempered glass furnished with a high-temperature silicone gasket for a positive, watertight seal.

WELL SLEEVE: Gray PVC pipe 14" OD x 19 1/2", flush mount. The wall thickness is 3/16". Optional 10" above grade or 20" above grade. Optional exterior finishes include Limestone, Sandstone or Verde.

SAFETY GRILL: Optional cast bronze concentric-ring grill for safety and glare control. It is secured to well sleeve with four black oxide stainless steel fasteners.

REFLECTORS: Specular aluminum spun reflector available for E17 lamping in spot (15°) beam pattern and flood (70°) beam pattern, or Hammertone® aluminum for horizontal (78°-100°) beam pattern. 250W High Pressure Sodium, E18 lamping in spot, flood or Metal Halide, T15 spot, E28 flood. Fluorescent available in flood or horizontal only. Aiming: 15° angle on either side of vertical and rotatable 360° within housing.

WIRING: Fixture is pre-wired with 16-3 STO-WA cord sealed and grounded internally. Cord length is sufficient to allow fixture to be removed from well for cleaning and relamping.

WIRING COMPARTMENT: A separate cast bronze wiring compartment with two 3/4" conduit entries is provided for field connections. After connection of field wiring, the wiring compartment must be potted to prevent moisture entry from conduit systems. Re-enterable potting compound provided to seal junction box.

BALLAST MODULE: Standard quad volt core and coil, high power factor, water-resistant encapsulated with quick connect harness. Compact fluorescent ballasts are electronic. 250 watt HID ballasts are in remote, composite enclosure.

WARRANTY: Three year limited warranty.

CERTIFICATION: UL Listed to U.S. and Canadian safety standards for wet locations.

ACCESSORIES



DB2RGB: Cast Bronze Rock Guard



DB2RGS: Cast Bronze Rock Guard with Clear Lens



DB2ISL: Internal Spread Lens



DB2SL: Clear External Lens (standard)



DB2RGSRL: Cast Bronze Rock Guard with Slip-Resistant Lens

IHL30: Snap-On Honeycomb Louver for PAR30 lamps

IHL38: Snap-On Honeycomb Louver for PAR38 lamps



DB2SRL: Slip-Resistant External Lens



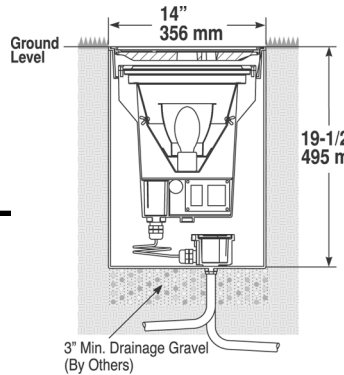
DB2IDL: Internal Direction Lens

Note: Bronzelite reserves the right to modify the above details to reflect changes in the cost of materials &/or production &/or design without prior notice.
BRONZELITE - GENLYTE GROUP LLC • 100 Craftway • Littlestown, PA 17340 • Ph. (800) 273-1569 • Fax (717) 359-9545 • www.bronzelite.com

FIXTURE TYPE: _____

PROJECT NAME: _____

DIMENSIONS & MOUNTING DETAILS



- SL=Clear Lens (Standard)
- SR=Slip Resistant Lens
- RG=Rock Guard only
- RL=Rock Guard with Clear Lens
- RR=Rock Guard with Slip Resistant Lens
- N=None

ORDERING LOGIC - DB2000

- 120=120V
- 208=208V
- 240=240V
- 277=277V
- 220=220 60 HZ
- 5120=120 50 HZ
- 5220=220 50 HZ
- 5240=240 50 HZ

- D=Medium
- G=Mogul
- F=Fluorescent

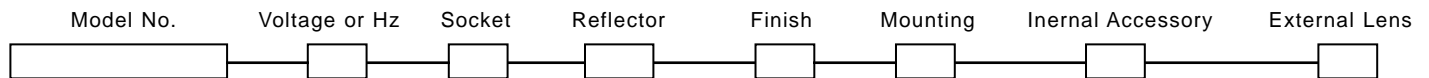
- S=Spot
- F=Flood
- H=Horizontal WW (avail. for E17 and PL-1)
- N=PAR/R Lamp

- S=Sandstone
- L=Limestone
- V=Verde
- N=None

- *R=Round Flush
- *S=Square Flush
- 1=10" Above Ground
- 2=20" Above Ground
- I=Internal Directinal Louver
- S=Internal Spread Lens
- N=None

Wattage/Lamp	Model No.	Voltage or Hz	Socket	Reflector	Finish	Mounting	Internal Accessory	External Lens
35W Metal Halide PAR20	DB2035H	(120,208,240,277)	(D)	(N)	()	()	()	()
50W Metal Halide E17	DB2050H	(120,208,240,277)	(D)	(S,F,H)	()	()	()	()
70W Metal Halide E17, PAR38	DB2070H	()	(D)	()	()	()	()	()
100W Metal Halide E17, PAR38	DB2100H	()	(D)	()	()	()	()	()
150W Metal Halide E17	DB2150H	(NO 220)	(D)	(S,F,H)	()	()	()	()
250W Metal Halide S-T15, F-E28	**DB2250H	()	(G)	(S,F)	()	()	()	()
35W High Pressure Sodium E17	DB2035S	(120,277)	(D)	(S,F,H)	()	()	()	()
50W High Pressure Sodium E17	DB2050S	(NO 5120 OR 220)	(D)	(S,F,H)	()	()	()	()
70W High Pressure Sodium E17	DB2070S	()	(D)	(S,F,H)	()	()	()	()
100W High Pressure Sodium E17	DB2100S	()	(D)	(S,F,H)	()	()	()	()
150W High Pressure Sodium E17	DB2150S	()	(D)	(S,F,H)	()	()	()	()
250W High Pressure Sodium E18	**DB2250S	()	(G)	(S,F)	()	()	()	()
26W Fluorescent PLT GX24Q-3	DB2026F	(NO 220)	(F)	(F,H)	()	()	()	()
32W Fluorescent PLT GX24Q-3	DB2032F	(NO 220)	(F)	(F,H)	()	()	()	()
42W Fluorescent PLT GX24Q-4	DB2042F	(NO 220)	(F)	(F,H)	()	()	()	()
150W Incandescent	DB2150I	(120)	(D)	(N)	()	()	()	()

**R" & "S" mounting used only with "N" finish **Must have one of the following options: DB2SRL, DB2SL, DB2RGSRL or DB2RGSL
 250W & 175W ballasts are remote mounted in a composite enclosure. **NOTE: Lamp not included. Consult factory for housing only.**



PROJECT NOTES

APPROVAL

Bronzelite®

Note: Bronzelite reserves the right to modify the above details to reflect changes in the cost of materials &/or production &/or design without prior notice.

BRONZELITE - GENLYTE GROUP LLC • 100 Craftway • Littlestown, PA 17340 • Ph. (800) 273-1569 • Fax (717) 359-9545 • www.bronzelite.com

ISO 9001:2000 Registered

Copyright Genlyte Group LLC, BRONZELITE Division 2005

DB2000-Rev4