

FIXTURE TYPE: _____
 PROJECT NAME: _____

BRONZELITE DB3000 VARIABLE HEIGHT INGROUND FIXTURE SPECIFICATION SHEET



The DB3000 Series variable height in-ground fixture is a rugged and effective lighting instrument for use in a wide variety of outdoor lighting applications. A tough polyester composite sealed in-ground fixture with molded soda-lime lens and high-temperature silicone gasket gives positive protection to optical and electrical components. This fixture is contained within a rugged PVC sleeve that can be installed from flush to 20" above finished grade, making it a must in planting areas. Optional finishes on the well sleeve make the DB3000 a pleasing architectural accent as well as a durable precision lighting instrument.

model DB3000

SPECIFICATIONS

HOUSING: Single-piece compression molded, fiberglass reinforced polyester composite. Integral junction box has two 3/4" conduit entries.

EXTERNAL WALKOVER LENS: Standard 1/4" thick, clear, high impact tempered glass. Slip resistant lens is also available.

INTERNAL LENS & GASKET: Convex lens is clear, high-impact tempered glass furnished with a high-temperature silicone gasket for a positive, watertight seal.

WELL SLEEVE: Gray PVC pipe 12 3/4" OD x 19 1/2", flush mount. The wall thickness is 3/16". Optional 10" above grade, or 20" above grade. Optional exterior finishes include Limestone, Sandstone or Verde.

SAFETY GRILL: Optional cast bronze, concentric-ring grill for safety and glare control. It is secured to well sleeve with four black oxide stainless steel set screws.

REFLECTORS: Specular aluminum spun reflector available for E17 lamping in spot (15°) beam pattern or flood (70°) beam pattern. Fluorescent available in flood only. Aiming: 15° angle on either side of vertical and rotatable 360° within housing.

WIRING: Fixture is pre-wired with 16-3 STO-WA cord, grounded and sealed internally. Cord length is sufficient to allow fixture to be removed from well for cleaning and relamping.

WIRING COMPARTMENT: A separate cast bronze wiring compartment with two 3/4" conduit entries is provided for field connections. After connection of field wiring, the wiring compartment must be potted to prevent moisture entry from conduit systems. Re-enterable potting compound is provided to seal junction box.

BALLAST MODULE: Standard quad volt core and coil, high power factor, epoxy dipped for moisture resistance with quick connect harness. Compact fluorescent ballasts are electronic.

WARRANTY: Three year limited warranty.

CERTIFICATION: UL Listed to U.S. and Canadian safety standards for wet locations.

ACCESSORIES



DB3RGB: Cast Bronze Rock Guard



DB3SL: Clear External Lens (standard)

DB3IDL: Internal Direction Lens



DB3RGSL: Cast Bronze Rock Guard with standard lens



DB3SRL: Slip-Resistant External Lens



DB3RGSRL: Cast Bronze Rock Guard with slip resistant large lens



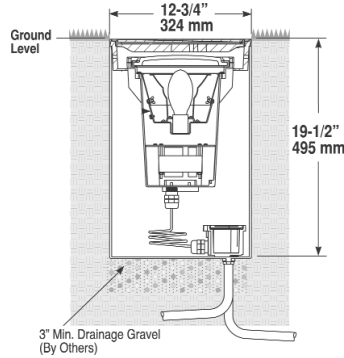
IHL30: Snap-On Honeycomb Louver for PAR30 lamps

Note: Bronzelite reserves the right to modify the above details to reflect changes in the cost of materials &/or production &/or design without prior notice.
 BRONZELITE - GENLYTE GROUP LLC • 100 Craftway • Littlestown, PA 17340 • Ph. (800) 273-1569 • Fax (717) 359-9545 • www.bronzelite.com

FIXTURE TYPE: _____

PROJECT NAME: _____

DIMENSIONS & MOUNTING DETAILS



ORDERING LOGIC - DB3000

- 120=120
- 208=208
- 240=240
- 277=277
- 220/=220 60 HZ
- 5120=120 50 HZ
- 5220=220 50 HZ
- 5240=240 50 HZ

- D=Medium
- F=Fluorescent

- S=Spot
- F=Flood
- N=PAR/R Lamp

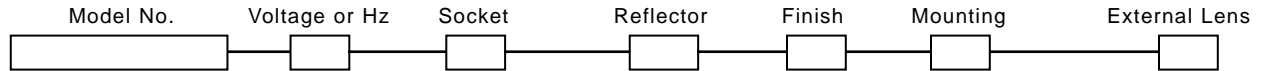
- S=Sandstone
- L=Limestone
- V=Verde
- N=None

- *R=Round Flush
- *S=Square Flush
- 1=10" Above Ground
- 2=20" Above Ground

- SL=Clear Lens (Standard)
- SR=Slip Resistant Lens
- RG=Rock Guard only
- RL=Rock Guard with Clear Lens
- RR=Rock Guard with Slip Resistant Lens
- N=None

Wattage/Lamp	Model No.	Voltage or Hz	Socket	Reflector	Finish	Mounting	External Lens
35W Metal Halide PAR20	DB3035H	(120,208,240,277)	(D)	(N)	()	()	()
50W Metal Halide E17	DB3050H	(120,208,240,277)	(D)	(S,F)	()	()	()
70W Metal Halide E17, PAR30	DB3070H	()	(D)	()	()	()	()
100W Metal Halide E17, PAR38	DB3100H	()	(D)	()	()	()	()
35W High Pressure Sodium E17	DB3035S	(120,277)	(D)	(S,F)	()	()	()
50W High Pressure Sodium E17	DB3050S	(NO 5120)	(D)	(S,F)	()	()	()
70W High Pressure Sodium E17	DB3070S	()	(D)	(S,F)	()	()	()
100W High Pressure Sodium E17	DB3100S	()	(D)	(S,F)	()	()	()
26W Fluorescent PLT GX24Q-3	DB3026F	()	(F)	(F)	()	()	()
32W Fluorescent PLT GX24Q-3	DB3032F	()	(F)	(F)	()	()	()
42W Fluorescent PLT GX24Q-4	DB3042F	()	(F)	(F)	()	()	()
100W Incandescent PAR38	DB3100I	(120)	(D)	(N)	()	()	()

*"R" & "S" mounting used only with "N" finish
NOTE: Lamp not included. Consult factory for housing only.



PROJECT NOTES

APPROVAL

Bronzelite®