

FIXTURE TYPE: _____

PROJECT NAME: _____

BRONZELITE DB5000 H.I.D. INGROUND FIXTURE SPECIFICATION SHEET



Strength, durability and performance are the hallmarks of all DB5000 specification-grade in-ground fixtures. Regardless of optics selected, excellent lighting performance can be achieved with various setback and spacings due to the unique versatility of the DB5000's TOUCH-AIM® optical package. It includes a high-temperature composite lamplighting module with clear borosilicate or molded spread lens with CAM-LATCH™ closure system - simply twist to secure, no tools required!

The combination of a **POTTED FACTORY SEAL WITH WATERPROOF CORDSET AND RECEPTACLE, ONE PART RE-ENTERABLE ENCAPSULANT** and **LIQUID TIGHT WIRE NUTS** provides for an installation-friendly, lower maintenance luminaire with a more robust seal between the conduit entry points and the main housing. The waterproof outer housing with integral grade-level junction box is made of fiberglass reinforced polyester with heavy, molded soda lime glass lens and natural metal lens ring. Drive-over lens enables the DB5000 to withstand a 3000 pound live load. **DUAL LENS SYSTEM** results in lower external temperatures.

Caution: Landscape lighting fixtures can sometimes produce extreme heat on the lens. Care should be taken when installing in walkway areas as lens temperatures from certain lamps could injure bare feet. Consult Bronzelite catalog for exact lens temperatures.

SPECIFICATIONS

HOUSING: Compression molded, fiberglass reinforced polyester composite. Integral grade-level junction box with three 3/4" conduit entries on the bottom, **POTTED FACTORY SEAL WITH WATERPROOF RECEPTACLE** between junction box and housing. Provided with one part re-enterable compound to seal junction box and silicone filled wire nuts for liquid tight field wiring connections.

EXTERNAL LENS: Heat-treated borosilicate glass for high impact resistance. Flat lens incorporates a slight crown to assist in water runoff. Slip resistant lens has concentric rings blasted into the surface for added traction without harming the mechanical integrity of the lens. Secured with lens ring and tamper-resistant stainless steel features.

EXTERNAL LENS GASKET: High temperature silicone for durable seal in extreme conditions.

JUNCTION BOX COVER: Incorporates wiring pigtail ground connection. Available in matte finish brass or stainless steel to match lens ring.

LAMP MODULE: High temperature composite (200°C) for maximum strength and durability. **WATERPROOF RECEPTACLE** for connecting Ballast Module. Optical system is protected by open cell silicone gasket and high temperature internal lens that keeps optics clean during installation. Tool-less CAM-LATCH™ closure for easy access relamping. Patented TOUCH-AIM® gimbal rings enable aiming 15° from vertical with 360° rotation. Optional LOC-AIM® locks aiming in place.

OPTICAL SYSTEM: Specular aluminum spot reflector (15°), brushed aluminum flood reflector (70°), hammertone aluminum horizontal reflector (78°-100°), reflectorized lamps (PAR, R). Sockets are pulse-rated high temperature porcelain. **Lamp is included.**

BALLAST MODULE: MULTI-TAP AND WATERPROOF. High temperature **WATERPROOF CORDSET** and connectors provided with strain relief to ensure that ballast will retain waterproof integrity when lifted by cord. All capacitors rated for minimum 100°C for longer life.

DB5LA: LOC-AIM® device "locks in" the field aiming of the lamplighting module. **DB5LA standard and included.**

WARRANTY: 3 year limited warranty.

CERTIFICATION: UL/cUL Listed to U.S. and Canadian safety standards for wet locations (outdoors). ADA compliant when using in concrete and flush mounted with DB5CPS, DB5CMF or DB5PA.

PATENT PENDING.

IP66/68 TO 1M (3.28FT): Dust-tight and dual rated - sealed against direct jets of water and against continuous immersion up to a depth of 1 meter (3.28 feet).

OPTIONS

EXTERNAL LENS: Standard is walkover (W) 1300 pound live load rated. Optional lenses include convex (C), driveover (D) 3000 pound live load rated, and slip resistant (S) 1000 pound live load rated.

INTERNAL LENS: For lamplighting module. Standard is clear, soda-lime tempered glass (C). Optional annealed, borosilicate 25° x 50° spread lens (S) is also available.

INTERNAL LOUVERS: Internal Directional Louver (I) and Internal Honeycomb Louver (H).

ROCK GUARDS: Available in cast aluminum (AG), cast bronze (BG) and composite (CG).

EXTERNAL DIRECTIONAL SHIELDS: Available in cast aluminum (AS) and cast bronze (BS).

LENS RINGS: Offered in cast brass (standard) (N) or cast matte finish stainless steel (SR).

ACCESSORIES

The DB5000 accessories must be ordered separately and field installed. They include:

DB5PA Paver adapter. Must be installed with housing.

DB5CMF Galvanized concrete mounting frame. Must be installed with housing.

DB5CPS Decorative matte finish stainless steel concrete pour kit. Must be installed with housing.

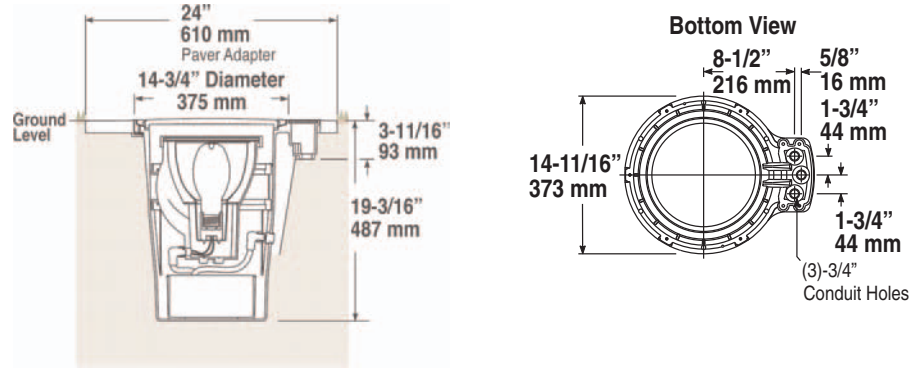
DB5ISS Internal source shield protects against direct viewing of light source.

Note: Bronzelite reserves the right to modify the above details to reflect changes in the cost of materials &/or production &/or design without prior notice.
BRONZELITE - GENLYTE GROUP LLC • 100 Craftway • Littlestown, PA 17340 • Ph. (800) 273-1569 • Fax (717) 359-9545 • www.bronzelite.com

FIXTURE TYPE: _____

PROJECT NAME: _____

DIMENSIONS & ELECTRICAL SPECIFICATIONS

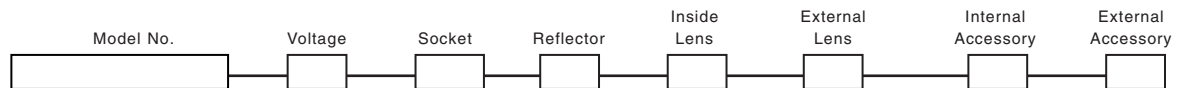


ORDERING LOGIC - DB5000

- Q=Quad Volt (120, 208, 240, 277, 60Hz)
- 5=50Hz Tri Volt (120, 220, 240, 50Hz)
- 6=60Hz 220V
- B=Bi-Pin (G12)
- D=Medium
- G=Mogul
- V=Variable Spot to Flood (E17, T6 Bi-pin)
- S=Spot (E17, E18, E23 1/2, T6, T15)
- F=Flood (E17, E18, E28, E23 1/2, PLT)
- H=Horizontal (E17, PLT)
- A=Horizontal Asymmetrical (T6 Bi-pin)
- B=Horizontal Bisymmetrical (T6 Bi-pin)
- C=PAR F (PAR38/R40, PAR 56) Flood
- D=PAR WF (PAR38/R40, PAR 56) Wide Flood
- E=PAR S (PAR38/R40, PAR 56) Spot
- W=Walkover (standard)
- C=Convex*
- D=Driveover*
- S=Slip Resistant
- *Not Suitable for use with rock guard
- AG=Aluminum Rockguard
- BG=Bronze Rockguard
- CG=Composite Rockguard
- AS=Aluminum Directional Shield
- BS=Bronze Directional Shield
- SR=Lens Ring, Matte Stainless Steel
- N=None (standard Lens Ring)
- I=Internal Directional
- H=Internal Honeycomb
- N=None
- C=Clear (standard)
- S=Spread

Wattage	Model No.	Voltage or Hz	Socket	Reflector	Inside Lens	External Lens	Internal Accessory	External Accessory
35W Metal Halide	DB5035H	(Q)	(D)	(C,E)	()	()	()	()
35W Metal Halide	DB5035H	(Q)	(B)	(S,A,B)	()	()	()	()
50W Metal Halide	DB5050H	(Q)	(D)	(S,F,H)	()	()	()	()
70W Metal Halide	DB5070H	()	(D)	(S,F,H,C,E)	()	()	()	()
70W Metal Halide	DB5070H	()	(B)	(S,A,B)	()	()	()	()
100W Metal Halide	DB5100H	()	(D)	(S,F,H,C,D,E)	()	()	()	()
150W Metal Halide	DB5150H	()	(D)	(S,F,H)	()	()	()	()
150W Metal Halide	DB5150H	()	(B)	(S,A,B)	()	()	()	()
250W Metal Halide	DB5250H	()	(G)	(S,F)	()	()	()	()
70W High Pressure Sodium	DB5070S	()	(D)	(S,F,H)	()	()	()	()
100W High Pressure Sodium	DB5100S	()	(D)	(S,F,H)	()	()	()	()
150W High Pressure Sodium	DB5150S	()	(D)	(S,F,H)	()	()	()	()
250W High Pressure Sodium	DB5250S	()	(G)	(S,F)	()	()	()	()
Housing Only	DB5HO	-	-	-	-	-	-	-

NOTE: Lamp is included with fixture.
NOTE: DB5LA is included with fixture.



PROJECT NOTES

APPROVAL

Bronzelite®
Sure to endure®

Note: Bronzelite reserves the right to modify the above details to reflect changes in the cost of materials &/or production &/or design without prior notice.

BRONZELITE - GENLYTE GROUP LLC • 100 Craftway • Littlestown, PA 17340 • Ph. (800) 273-1569 • Fax (717) 359-9545 • www.bronzelite.com

ISO 9001:2000 Registered

Copyright Genlyte Group LLC, BRONZELITE Division 2006

DB5HID-Rev4