

FIXTURE TYPE: \_\_\_\_\_

PROJECT NAME: \_\_\_\_\_

## BRONZELITE G1001 INGROUND FIXTURE SPECIFICATION SHEET



The G1001 grade-mounted luminaire provides excellent landscape illumination using up to 300 watt incandescent lamps. The fixtures are constructed of heavy cast bronze and are fully gasketed for positive, water-tight seal.

model G1001

### SPECIFICATIONS

**HOUSING:** Cast bronze with integral pre-wired junction box. Two 3/4" N.P.T. conduit entrances are provided in the bottom of the junction box.

**LENS:** High-impact tempered glass.

**(FB)** Flat lens is 2,100 pound live-load (walk-over) rated.

**(CB)** Convex lens is recommended for applications where leaves or other surface debris may accumulate.

**LENS GASKET:** High temperature silicone.

**AIMING:** 360° horizontal rotation and 25° vertical adjustment.

**SOCKETS:** Pulse-rated, heavy-duty glazed porcelain medium base.

**WIRING:** High temperature wiring.

**FASTENERS:** Tamper stainless steel.

**WARRANTY:** Three year limited warranty.

**CERTIFICATION:** UL Listed to U.S. and Canadian safety standards for wet locations.

### ACCESSORIES (Must Be Ordered Separately and Field Installed)



**G3CRG:** Cast bronze rock guard

**G3CR:** Cast bronze lens ring

**G3GL1:** Aluminum internal louver.



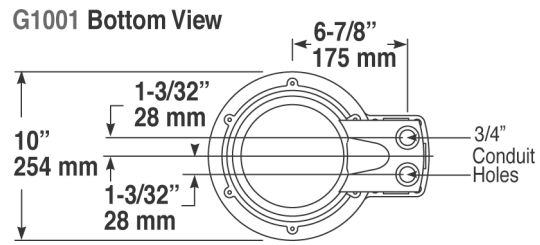
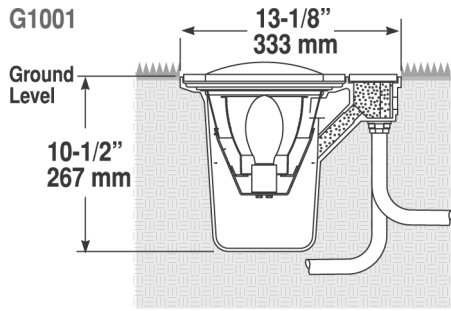
**G3WW1:** Cast bronze wall washer shield

Note: Bronzelite reserves the right to modify the above details to reflect changes in the cost of materials &/or production &/or design without prior notice.  
BRONZELITE - GENLYTE GROUP LLC • 100 Craftway • Littlestown, PA 17340 • Ph. (800) 273-1569 • Fax (717) 359-9545 • www.bronzelite.com

FIXTURE TYPE: \_\_\_\_\_

PROJECT NAME: \_\_\_\_\_

**DIMENSIONS**



**ORDERING LOGIC - G1001 INGROUND**

CR=Rockguard w/Convex Lens    N=PAR or R Lamps  
 FR=Rockguard w/Flat Lens  
 CB=Lens Ring w/Convex Lens    P=PAR  
 FB=Lens Ring w/Flat Lens       R=R40

Wattage/Lamp	Model No.	Lens	Reflector	Lamp	Voltage
300W Incandescent	G10011	( )	(N)	(P,R)	(120)



**PROJECT NOTES**

\_\_\_\_\_

\_\_\_\_\_

\_\_\_\_\_

\_\_\_\_\_

\_\_\_\_\_

\_\_\_\_\_

\_\_\_\_\_

**APPROVAL**

**Bronzelite®**

Note: Bronzelite reserves the right to modify the above details to reflect changes in the cost of materials &/or production &/or design without prior notice.  
BRONZELITE - GENLYTE GROUP LLC • 100 Craftway • Littlestown, PA 17340 • Ph. (800) 273-1569 • Fax (717) 359-9545 • www.bronzelite.com