

FIXTURE TYPE: _____

PROJECT NAME: _____

BRONZELITE G5000 H.I.D. WELL LIGHT SPECIFICATION SHEET



The G5000 Series grade-mounted H.I.D. well-light provides excellent landscape illumination using up to 175 watt PAR, R, and E17 lamps. The fixtures are constructed with a heavy cast aluminum or optional cast bronze lamp housing and safety grill within a PVC well sleeve.

model G5000

SPECIFICATIONS

SAFETY GRILL: Standard cast aluminum round grill with optional cast bronze model available. Optional cast aluminum and cast bronze square and square directional grills are available. Grill rotates 360° for glare control and is secured to well sleeve with two self-tapping screws.

WELL SLEEVE: Gray Schedule 40 PVC pipe, 9" I.D. x 15". Wall thickness is 3/16".

CONVEX LENS: Clear, high-impact tempered glass furnished with a high-temperature silicone gasket for a positive, watertight seal.

HOUSING: Dark bronze polyester powder-coated cast aluminum or optional cast bronze. Pre-wired and fastened to safety grill with two steel spring clips. 4.5' of STO-WA cord is provided with a watertight seal at the housing entry and at the conduit connection.

REFLECTORS: E17, vertical lamps have specular spun aluminum flood reflector.

SOCKETS: Pulse-rated, heavy-duty, glazed porcelain medium base lamps.

BALLAST MODULE: Single-piece compression-molded, fiber-glass reinforced polyester composite with integral junction box and anti-siphon barrier. It is impervious to corrosion and unaffected by the harshest soil conditions. Two 3/4" N.P.T. conduit entrances are provided in the bottom of the junction box. Top cover is single-piece cast aluminum or optional cast bronze to match fixture head and safety grill. After connection of field wiring, the entire splice compartment must be potted to prevent moisture entry from conduit system.

FASTENERS: Tamper and corrosion resistant.

WARRANTY: Three year limited warranty.

CERTIFICATION: UL Listed to U.S. and Canadian safety standards for wet locations.

ACCESSORIES (Must Be Ordered Separately and Field Installed)



G5SA: Square aluminum grill



G5SB: Square bronze grill



G5SDA: Square aluminum directional grill



G5SDB: Square bronze directional grill

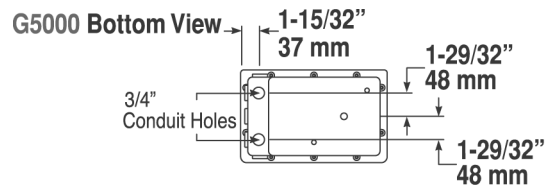
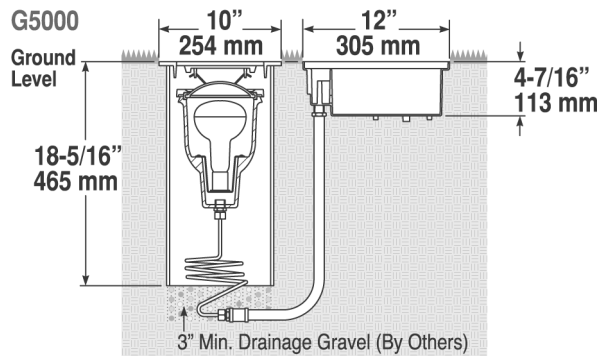
Note: Grills will be furnished in the same material as housing. Grills do not meet OSHA standard for walkway grating.

Note: Bronzelite reserves the right to modify the above details to reflect changes in the cost of materials &/or production &/or design without prior notice.
BRONZELITE - GENLYTE GROUP LLC • 100 Craftway • Littlestown, PA 17340 • Ph. (800) 273-1569 • Fax (717) 359-9545 • www.bronzelite.com

FIXTURE TYPE: _____

PROJECT NAME: _____

DIMENSIONS



ORDERING LOGIC - G5000 H.I.D. WELL LIGHT

CAS=Cast Aluminum Square
 CAR=Cast Aluminum Round (standard G5000)
 CBS=Cast Bronze Square
 CBR=Cast Bronze Round (standard G6025)

E=E17 or B17
 P=PAR or R

120=120
 208=208
 240=240
 277=277

Wattage/Lamp	Model No.	Housing/Grill	Lamp	Voltage
35W Metal Halide PAR20	G5035MH	()	(N)	()
50W Metal Halide E17	G5050MHFL	()	(E)	()
70W Metal Halide PAR38	G5070MH	()	(N)	()
70W Metal Halide E17	G5070MHFL	()	(E)	()
100W Metal Halide PAR38	G5100MH	()	(N)	()
100W Metal Halide E17	G5100MHFL	()	(E)	()
175W Metal Halide PAR38	G5175MH	()	(N)	()
175W Metal Halide E17	G5175MHFL	()	(E)	()
35W High Pressure Sodium E17	G035HPSFL	()	(E)	(120,277)
50W High Pressure Sodium E17	G050HPSFL	()	(E)	()
70W High Pressure Sodium E17	G5070HPSFL	()	(E)	()
100W High Pressure Sodium E17	G5100HPSFL	()	(E)	()
150W High Pressure Sodium E17	G5150HPSFL	()	(E)	()
50W Mercury Vapor E17	G5050MVFL	()	(E)	(120,277)
75W Mercury Vapor E17	G5075MVFL	()	(E)	(120,277)
100W Mercury Vapor R40	G5100MV	()	(N)	()
100W Mercury Vapor E17	G5100MVFL	()	(E)	()
175W Mercury Vapor R40	G5175MV	()	(N)	()

NOTE: Lamp not included.



PROJECT NOTES

APPROVAL

Bronzelite®

Note: Bronzelite reserves the right to modify the above details to reflect changes in the cost of materials &/or production &/or design without prior notice.

BRONZELITE - GENLYTE GROUP LLC • 100 Craftway • Littlestown, PA 17340 • Ph. (800) 273-1569 • Fax (717) 359-9545 • www.bronzelite.com

ISO 9001:2000 Registered

Copyright Genlyte Group LLC, BRONZELITE Division 2005

G5000-Rev2