

FIXTURE TYPE: _____

PROJECT NAME: _____

BRONZELITE G6025 INCANDESCENT SUBMERSIBLE WELL-LIGHT SPECIFICATION SHEET



The G6025 grade-mounted submersible well light is a real floodlight; UL listed in both wet location and submersible categories. This fixture is designed and intended for use in low areas of the landscape prone to flooding. It provides excellent landscape illumination using up to 250 watt incandescent PAR and R lamps. The G6025INC is constructed with a heavy cast bronze lamp housing and safety grill within a PVC well sleeve. Dry location up to 150 watt.

model G6025

SPECIFICATIONS

SAFETY GRILL: Standard cast aluminum round grill with optional cast bronze model available. Optional cast aluminum and cast bronze square and square directional grills are available. Grill rotates 360° for glare control and is secured to well sleeve with two self-tapping screws.

WELL SLEEVE: Gray Schedule 40 PVC pipe, 9" I.D. x 15". Wall thickness is 3/16".

CONVEX LENS: Clear, high-impact tempered glass furnished with a high-temperature silicone gasket for a positive, watertight seal.

HOUSING: Dark bronze polyester powder-coated cast aluminum or optional cast bronze. Pre-wired and fastened to safety grill with two steel spring clips. 4.5' of STO-WA cord is provided with a watertight seal at the housing entry and at the conduit connection.

SOCKETS: Pulse-rated, heavy-duty, glazed porcelain medium base lamps.

FASTENERS: Tamper and corrosion resistant.

WARRANTY: Three year limited warranty.

CERTIFICATION: UL Listed to U.S. and Canadian safety standards for wet locations.

ACCESSORIES (Must Be Ordered Separately and Field Installed)



G5SB: Square bronze grill



G5SDB: Square bronze directional grill

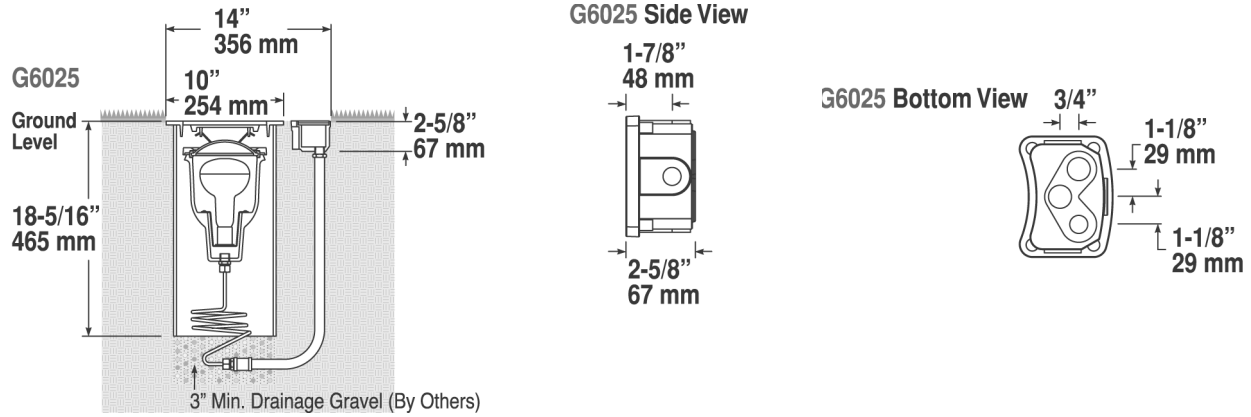
Note: Grills will be furnished in the same material as housing. Grills do not meet OSHA standard for walkway grating.

Note: Bronzelite reserves the right to modify the above details to reflect changes in the cost of materials &/or production &/or design without prior notice.
BRONZELITE - GENLYTE GROUP LLC • 100 Craftway • Littlestown, PA 17340 • Ph. (800) 273-1569 • Fax (717) 359-9545 • www.bronzelite.com

FIXTURE TYPE: _____

PROJECT NAME: _____

DIMENSIONS



ORDERING LOGIC - G6025 INCANDESCENT SUBMERSIBLE WELL LIGHT

CBR=Cast Bronze Round (standard G6025)
CBS=Cast Bronze Square

N=PAR or R

120=120V

Wattage/Lamp	Model No.	Housing/Grill	Lamp	Voltage
250W Incandescent PAR38	G6025I	(CBR,CBS)	(N)	(120)

NOTE: Lamp not included.



PROJECT NOTES

APPROVAL

Bronzelite®

Note: Bronzelite reserves the right to modify the above details to reflect changes in the cost of materials &/or production &/or design without prior notice.

BRONZELITE - GENLYTE GROUP LLC • 100 Craftway • Littlestown, PA 17340 • Ph. (800) 273-1569 • Fax (717) 359-9545 • www.bronzelite.com

ISO 9001:2000 Registered

Copyright Genlyte Group LLC, BRONZELITE Division 2005

G6025INC-Rev2