

FIXTURE TYPE: _____
PROJECT NAME: _____

BRONZELITE G8000 INCANDESCENT INGROUND FIXTURE SPECIFICATION SHEET



The G8000 Series incandescent in-ground fixture is a rugged and effective lighting luminaire for use in a wide variety of outdoor lighting applications using PAR38 and R40 incandescent light sources. A tough polyester composite housing, molded tempered soda-lime lens and high-temperature silicone gasket give positive protection to optical and electrical components. Fixture can also be specified for use with PAR20 and PAR30 lamps. The lens is rated at 2,600 pound live-load for walk-over applications.

Caution: Landscape lighting fixtures can sometimes produce extreme heat on the lens. Care should be taken when installing in walkway areas as lens temperatures from certain lamps could injure bare feet. Consult Bronzelite factory for exact lens temperatures.

model G8000

SPECIFICATIONS

HOUSING: Compression molded, fiberglass reinforced polyester composite with high temperature rating. Integral junction box with two 3/4" conduit entries. Re-enterable potting compound provided to seal junction box.

LENS: Tempered soda-lime glass for high impact resistance. Lens is crowned to assist in water runoff. Slip resistant lens has concentric rings sandblasted into the surface of the lens for added traction without harming the mechanical integrity of the lens.

LENS GASKET: High temperature silicone suitable for extreme conditions.

LENS RING: Single piece compression molded composite, cast bronze or cast matte stainless steel.

SOCKETS: High temperature porcelain.

ROCKGUARD: Optional, directional to control glare. Available in compression molded composite (150 watts maximum) or cast bronze.

AIMING: 15° either side of vertical and rotatable 360°.

WARRANTY: Three year limited warranty.

CERTIFICATION: UL Listed to U.S. and Canadian safety standards for wet locations. ADA compliant when using in concrete and flush mounted with CP8 or CPS8.

ACCESSORIES (Must Be Ordered Separately and Field Installed)



CP8: PVC concrete pour kit is the standard kit for use when G8000 fixture is installed flush in concrete. CP8 and fixture housing must be installed

together.



CPS8: Matte stainless steel concrete pour kit for use with the RS trim ring when fixture is installed in concrete. CPS8 and fixture housing must be installed

together.



IHL38: Snap-on honeycomb louver for PAR38 lamps.



G8RB: Cast bronze trim ring.



G8RS: Cast matte stainless steel trim ring.



G8DS: Directional shield (rotatable 360°).



G8ISL: Multi-directional spread lens.



G8IDL: Laser-cut internal directional louver.



G8SL: Standard lens.



G8SRL: Slip-resistant lens.



G8G: Composite rockguard (150 watts maximum).



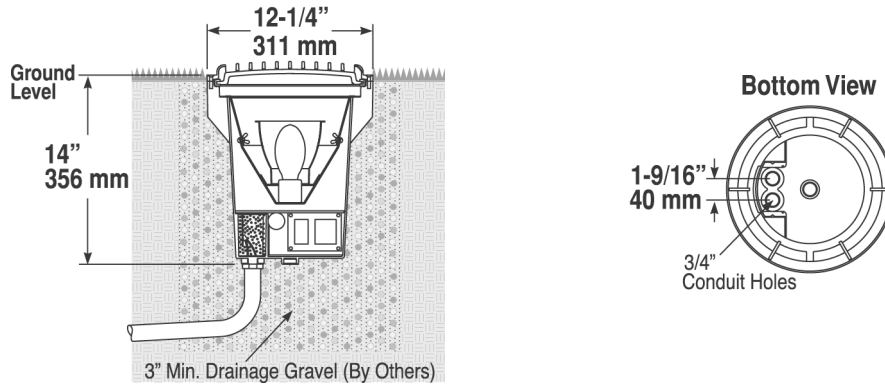
G8GB: Cast bronze rockguard.

Note: Bronzelite reserves the right to modify the above details to reflect changes in the cost of materials &/or production &/or design without prior notice.
BRONZELITE - GENLYTE GROUP LLC • 100 Craftway • Littlestown, PA 17340 • Ph. (800) 273-1569 • Fax (717) 359-9545 • www.bronzelite.com

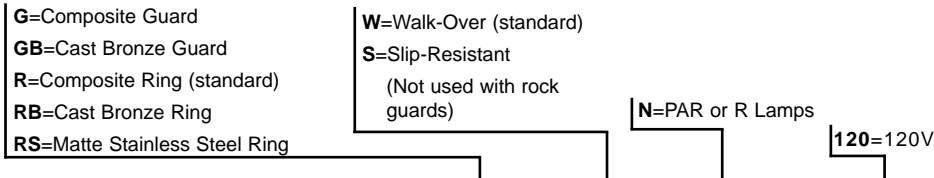
FIXTURE TYPE: _____

PROJECT NAME: _____

DIMENSIONS

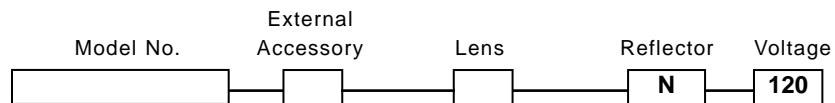


ORDERING LOGIC - G8000 INCANDESCENT INGROUND



Wattage/Lamp	Model No.	External Accessory	Lens	Reflector	Voltage
150W Incandescent PAR38	G8150I	()	()	(N)	(120)
300W Incandescent PAR38/R40 Housing Only	G8300I G8HO	(GB, R, RB, RS)	()	(N)	(120)

NOTE: Lamp not included.



PROJECT NOTES

APPROVAL

Bronzelite®

Note: Bronzelite reserves the right to modify the above details to reflect changes in the cost of materials &/or production &/or design without prior notice.
BRONZELITE - GENLYTE GROUP LLC • 100 Craftway • Littlestown, PA 17340 • Ph. (800) 273-1569 • Fax (717) 359-9545 • www.bronzelite.com