

FIXTURE TYPE: _____

PROJECT NAME: _____

BRONZELITE GM1000 INGROUND FIXTURE SPECIFICATION SHEET



The GM1000 is a compact in-ground fixture designed for blending into landscape settings. The fixture is available with a standard cast bronze lens ring with an optional cast matte stainless steel lens ring or optional cast bronze directional rock guard. The lens is rated 2,200 pound live-load for walk-over applications. Available in 120 volt with HR20, MR16 (with integral transformer), PAR36/AR111 (with integral transformer), PL-C fluorescent or PAR/R30 incandescent. Also available in 12 volt with MR16 or PAR36/AR111 low voltage lamps.

Caution: Landscape lighting fixtures can sometimes produce extreme heat on the lens. Care should be taken when installing in walkway areas as lens temperatures from certain lamps could injure bare feet. Consult Bronzelite factory for exact lens temperatures.

SPECIFICATIONS

HOUSING: Compression molded, fiberglass reinforced polyester composite with high temperature rating. Pre-wired integral junction box with two 1/2" conduit entries.

LENS: Tempered soda-lime glass for high impact resistance. Lens is convex to assist in water runoff.

LENS GASKET: High temperature silicone suitable for extreme conditions.

LENS RING: Single piece cast bronze (standard). Cast matte stainless steel is optional.

ROCKGUARD: (optional) Cast bronze and directional to control glare.

BALLAST: 120 VAC only core and coil, normal power factor, for mercury vapor or fluorescent.

AIMING: Low voltage MR16 and PAR36 lamps are 15° either side of vertical and rotatable 360° (with and without integral transformer). Mercury Vapor, Fluorescent and Incandescent PAR/R30 are fixed sockets with no aiming.

SOCKETS: 4kv, pulse-rated, heavy-duty glazed porcelain for medium base lamps. Porcelain bi-pin for MR16. High temperature plastic for fluorescent, GX32D-3, GX24Q-3 and GX24Q-2.

WIRING COMPARTMENT: For low voltage fixtures without transformers, 3' of direct-bury low voltage cable with quick connector. Cable exits from bottom of fixture through compression fittings. 120 VAC fixtures have 1/2" conduit entry.

FASTENERS: Tamper resistant stainless steel.

WARRANTY: Three year limited warranty.

CERTIFICATION: UL Listed to U.S. and Canadian safety standards for wet locations. ADA compliant when using in concrete and flush mounted with CP1 or CPS1.

ACCESSORIES (Must Be Ordered Separately and Field Installed)



CP1: PVC concrete pour kit is the standard kit for use when GM1000 fixture is installed flush in concrete. CP1 and fixture housing must be installed together.



IHL36: Snap-on honeycomb louver for PAR30/PAR36 lamps (aluminum).



CPS1: Matte stainless steel concrete pour kit is for use with the RS trim rings when fixture is installed in concrete. CPS1 and fixture housing must be installed together.



IHL30: Snap-on honeycomb louver for PAR30 lamps.



IHL16: Snap-on honeycomb louver for MR16 lamps (aluminum).

GM1GB: Cast bronze rockguard.

GM1RS: Matte stainless steel trim ring.

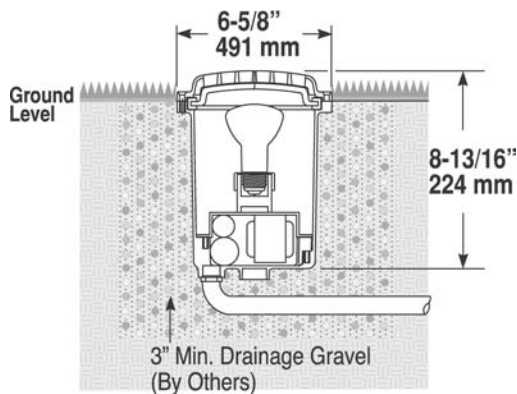
GM1RB: Cast bronze trim ring.

Note: Bronzelite reserves the right to modify the above details to reflect changes in the cost of materials &/or production &/or design without prior notice.
BRONZELITE - GENLYTE GROUP LLC • 100 Craftway • Littlestown, PA 17340 • Ph. (800) 273-1569 Fax (717) 359-9545 www.bronzelite.com

FIXTURE TYPE: _____

PROJECT NAME: _____

DIMENSIONS

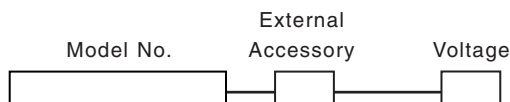


ORDERING LOGIC - GM1000 INGROUND

RS=Matte Stainless Lens Ring
 GB=Bronze Rockguard
 RB =Bronze Lens Ring (standard)

Wattage/Lamp	Model No.	External Accessory	Voltage
50W Mercury HR20	GM1050MV	()	(120)
75W MR16 (transformer)	GM1016MR	()	(120/12)
75W Low Voltage MR16 (no transformer)	GM1016LV	()	(12)
75W Low Voltage PAR36/AR111 (no transformer)	GM1036LV	()	(12)
75W PAR36/AR111 (transformer)	GM1036PAR	()	(120/12)
28W Fluorescent PLC GX32D-3	GM1028F	()	(120)
100W Incandescent PAR/R30	GM1100I	()	(120)

NOTE: Lamp not included.



PROJECT NOTES

APPROVAL

Bronzelite®

Note: Bronzelite reserves the right to modify the above details to reflect changes in the cost of materials &/or production &/or design without prior notice.

BRONZELITE - GENLYTE GROUP LLC • 100 Craftway • Littlestown, PA 17340 • Ph. (800) 273-1569 Fax (717) 359-9545 www.bronzelite.com

ISO 9001:2000 Registered

Copyright Genlyte Group LLC, BRONZELITE Division 2006

GM1000-Rev4