

FIXTURE TYPE: \_\_\_\_\_

PROJECT NAME: \_\_\_\_\_

## BRONZELITE 4012 LED WET/DRY FIXTURE SPECIFICATION SHEET



The versatile 4000 Series freestanding underwater fountain and Wet/Dry (LED version) luminaires accent decorative fountains, reflection pools and their features.

UL Listed for **both outdoor and indoor use, totally submerged (wet) or totally exposed (dry), cUL outdoor submerged only.** Cool external temperatures - **all below 31°C when underwater!**, - so the luminaire is **cool to the touch, including the lens.** Perfect for high pedestrian traffic and plant life applications. Exceeds European Standard EN 563 for both 1 second (85°C for composite, 80°C for glass) and 4 seconds (74°C for composite, 70°C for glass) of contact.

### SPECIFICATIONS

**HOUSING:** Single-piece injection molded, fiberglass reinforced Ultem® High Performance Polymer with high temperature rating.

**LENS:** Clear tempered soda-lime glass for high impact resistance or warm white lens 3000K. Lens is convex to assist in water runoff.

**LENS GASKET:** High temperature silicone suitable for extreme conditions.

**LENS RING:** Single-piece injection molded, fiberglass reinforced Ultem® High Performance Polymer with high temperature rating. Twist-lock with single screw for ease of maintenance.

**LEDs:** Type III Luxeon® white high brightness (HB) LEDs. Deliver 70% lumen maintenance at 50,000 hours. Cool white (5500K nominal). Warm lens (3000K nominal).

**ELECTRICAL:** 12.4 total watts. Integral electronic LED driver with integral surge protector. Input voltage range of 10.8-17.5 VAC/60Hz.

**Powered by Advance™:** Integral Advance™ electronic LED driver with integral surge protector. UL Class 2. -40°C/F minimum starting temperature. supply, requires remote magnetic 60Hz transformer.

**WIRING:** Prewired with a 10' pigtail and a quick connector for easy hook-up to the supply cable.

**WARRANTY:** 3 year limited warranty.

**CERTIFICATION:** UL Listed to U.S. safety standards for wet locations (underwater) and dry locations (non-submerged) outdoors and indoors. cUL Listed to Canadian safety standards for wet locations (underwater).

**IP66/68 TO 1M (3.28FT):** Dust-tight and dual rated - sealed against direct jets of water and against continuous immersion up to a depth of 1 meter (3.28 feet).

CCT, nom.	Input Voltage Range	Input Draw, max.	Power Consumption	Luminaire Efficacy*	Total Lumens*	Starting Temp., min.
5500K	10.8-17.5VAC	1.7A	12.4W	15.5LPW	192	-40°C/F
3000K	10.8-17.5VAC	1.7A	12.4W	10.5LPW	130	-40°C/F

\*Efficacy and Total Lumens include losses due to driver, collimating optics and/or lens/diffuser.

### ACCESSORIES (Must Be Ordered Separately and Field Installed)



**JB1:** (shown) 2 Lights, 10.5 Cubic Inches. (1)-3/4" maximum NPT bottom. (2)-1/2" or 3/4", one each end.

**JB2:** 4 Lights, 21.3 Cubic Inches. (2) 1" Maximum NPT bottom. (4)-1/2" or 3/4", one each side.

**JB4:** 8 Lights, 40 Cubic Inches. (2) 1-1/4" maximum NPT bottom. (8)-1/2" or 3/4", two each side.

**JB6:** 12 Lights, 125.7 Cubic Inches. (2) 2" maximum NPT bottom. (20)-1/2" or (16)-3/4", sides.



**PC4JB1:** (shown) Re-enterable encapsulant for sealing junction boxes, 10.5 cubic inches. For use with the JB1.

**PC4JB2/SJB10:** Re-enterable encapsulant for sealing junction boxes, 21.3 cubic inches. For use with the JB2.

**PC4JB4:** Re-enterable encapsulant for sealing junction boxes, 40 cubic inches. For use with the JB4.

**PC4JB6:** Re-enterable encapsulant for sealing junction boxes, 125.7 cubic inches. For use with the JB6.



**EC34:** (shown) Stainless steel waterproofing fitting. 3/4" N.P.T. x 8" long for use with supply conduit into junction box.

**EC1:** Stainless steel waterproofing fitting. 1" N.P.T. x 8" long for use with supply conduit into junction box.



**CC50:** Machined Naval brass cord seal, 1/2" N.P.T. for use with 16-3 STO-WA entry into junction box.



**LVTS3-15:** (shown) Stepdown transformer, Load: 300VA.

**LVTS6-15:** Stepdown transformer, Load: 600VA.

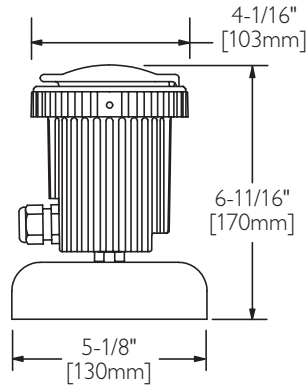
**LVTS9-15:** Stepdown transformer, Load: 900VA.

Note: Bronzelite reserves the right to modify the above details to reflect changes in the cost of materials &/or production &/or design without prior notice.  
BRONZELITE - GENLYTE GROUP LLC • 100 Craftway • Littlestown, PA 17340 • Ph. (800) 273-1569 Fax (717) 359-9545 www.bronzelite.com

FIXTURE TYPE: \_\_\_\_\_

PROJECT NAME: \_\_\_\_\_

**DIMENSIONS**



**ORDERING LOGIC - 4012 LED WET/DRY**

**C** =Cool White (5500K)  
**W** =Warm White (3000K)

Wattage/Lamp	Model No.	Color Temperature
Cool White LED	4012DLV	( )

*Note: LED's included.*

*Note: Requires remote magnetic (60Hz) transformer.*

Model No.

4012DLV

Color Temperature

**Bronzelite**® Sure to endure®

**PROJECT NOTES**

---



---



---



---



---



---



---



---



---



---

**APPROVAL**

Note: Bronzelite reserves the right to modify the above details to reflect changes in the cost of materials &/or production &/or design without prior notice.  
 BRONZELITE - GENLYTE GROUP LLC •100 Craftway •Littlestown, PA 17340 •Ph. (800) 273-1569 Fax (717) 359-9545 www.bronzelite.com